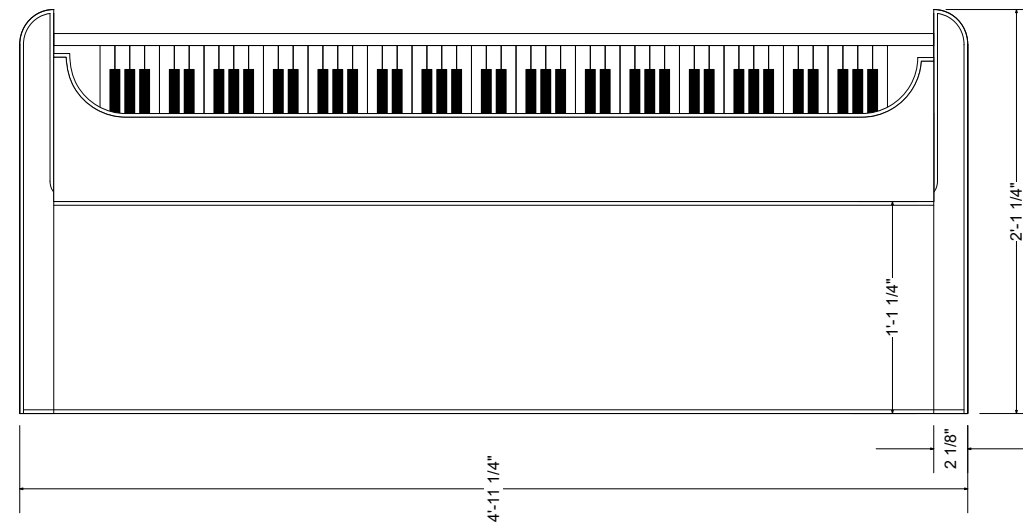
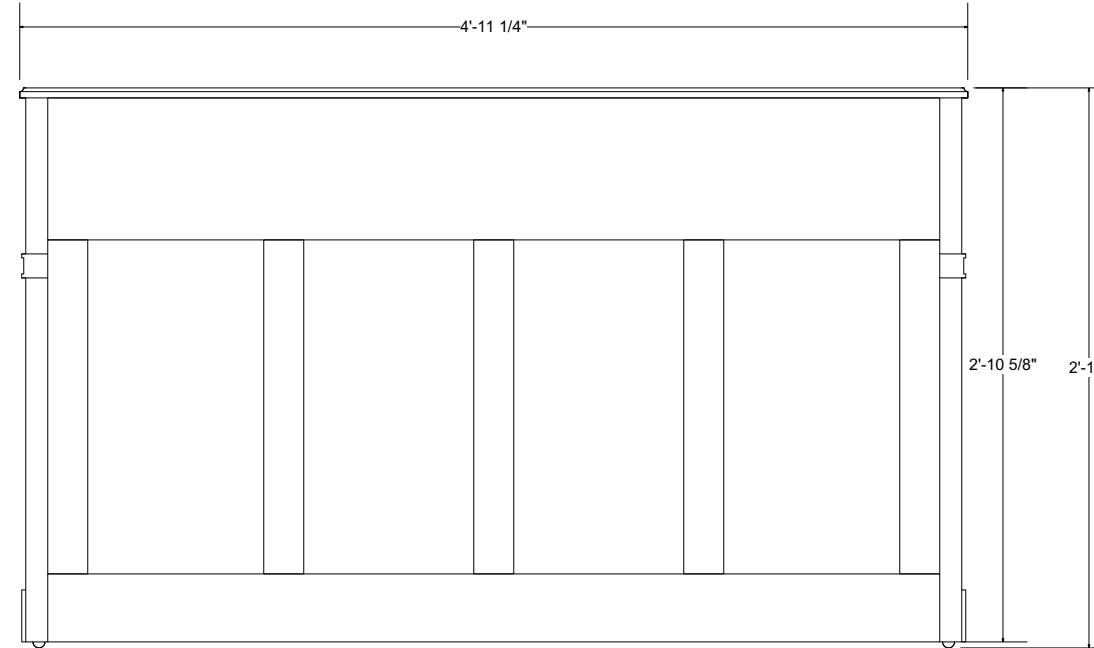


1 ORIGINAL PIANO REFERENCE - SIDE VIEW
Scale: 1" = 1'-0"



3 ORIGINAL PIANO REFERENCE - TOP VIEW
Scale: 1" = 1'-0"



2 ORIGINAL PIANO REFERENCE - BACK VIEW
Scale: 1" = 1'-0"

Production

Director: ISAAC LAMB
 Scenic Designer/Drawn By: ALEX MEYER
 Lighting Designer: TRENT ECCLES
 Costume Designer: DEMARA CABRERA
 Music Director: STEPHANIE SMITH
 Tech Director: MOLLY GARDNER

Notes:
 REMOVE HINGES FROM
 LID SO IT CAN SLIDE OUT
 OF FRONT FACE FOR
 TUNING. REMOVE AND
 REPLACE LEGS.

Revision: 3

THE MUSIC MAN
 THIRD RAIL REPERTORY THEATRE

Venue: COHO THEATRE

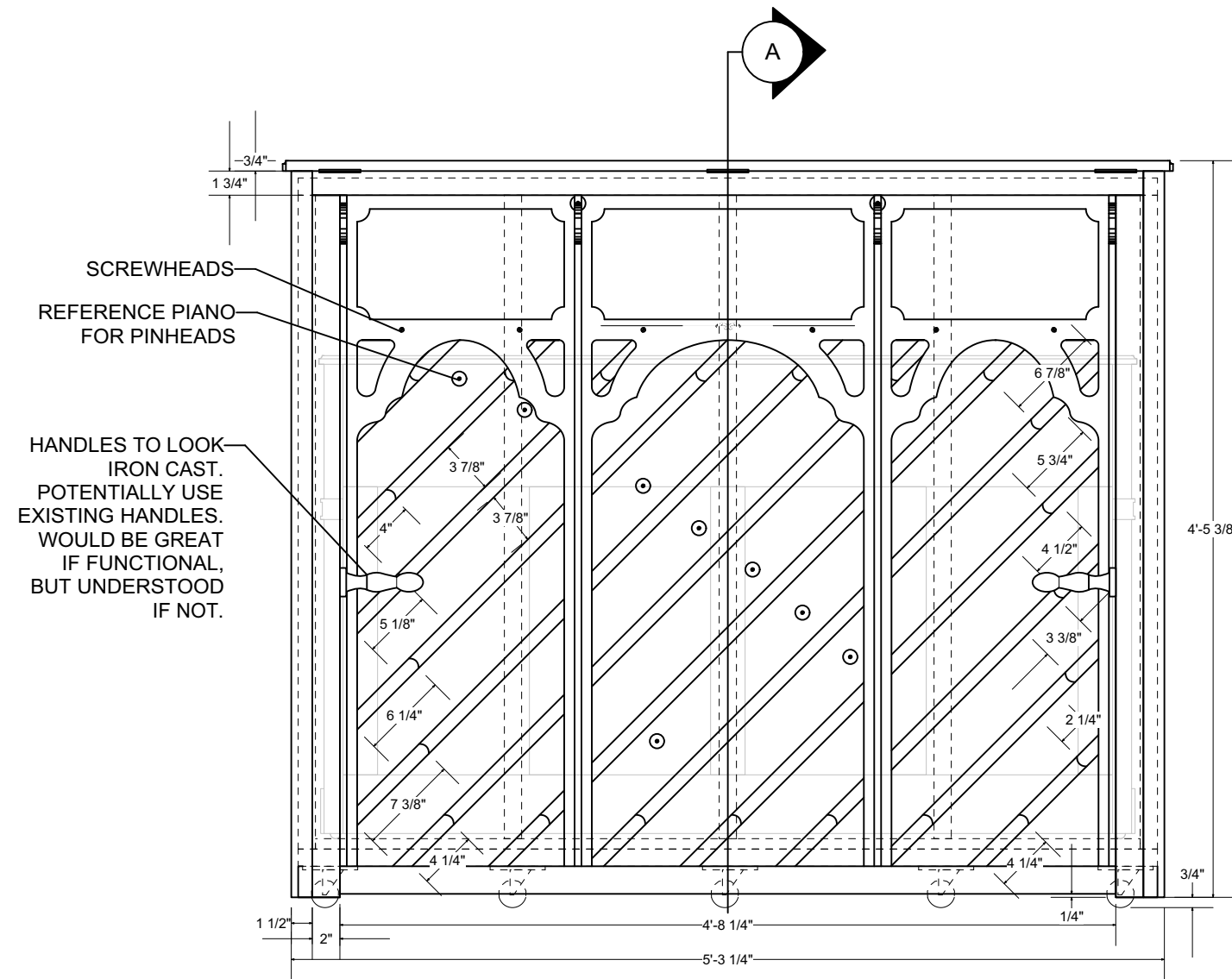
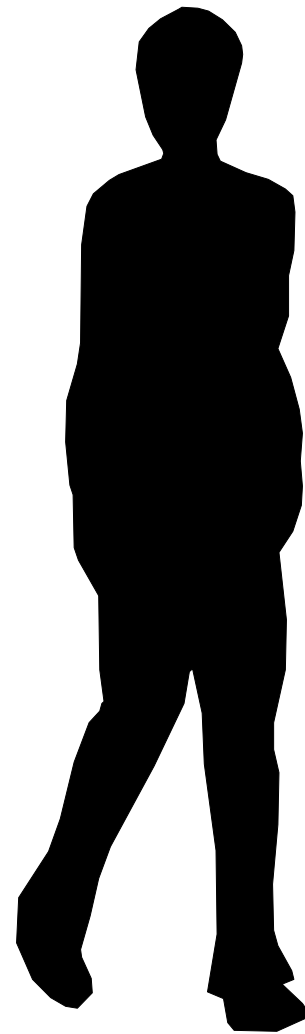
ORIGINAL PIANO

Date: 5.6.2022

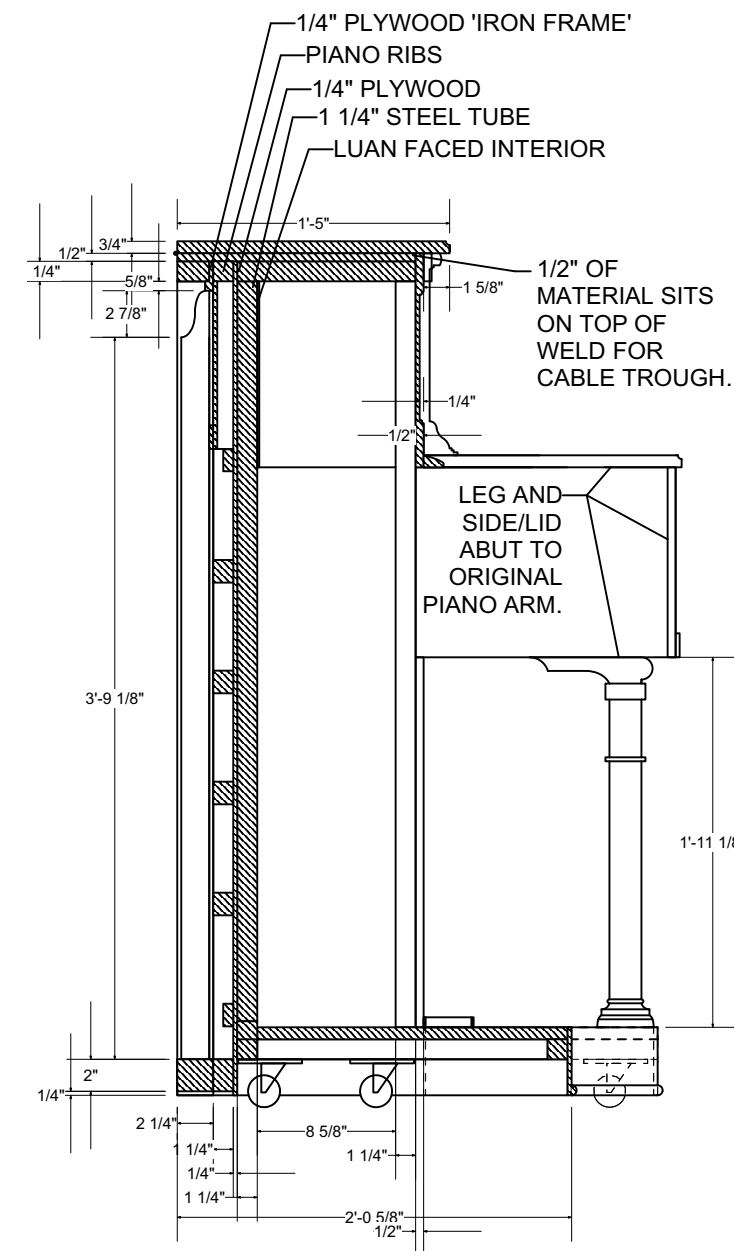
Scale: AS NOTED

Plate: **1**

Of: 11



1 PIANO SHELL - BACK VIEW
Scale: 1" = 1'-0"



2 PIANO SHELL - SECTION A
Scale: 1" = 1'-0"

Production

Director: ISAAC LAMB
Scenic Designer/Drawn By: ALEX MEYER
Lighting Designer: TRENT ECCLES
Costume Designer: DEMARA CABRERA
Music Director: STEPHANIE SMITH
Tech Director: MOLLY GARDNER

Notes:
ORIGINAL PIANO NOTED IN GRAY. WELDED FRAME NOTED IN DASHED LINES.

Revision: 3

THE MUSIC MAN
THIRD RAIL REPERTORY THEATRE

Venue: COHO THEATRE

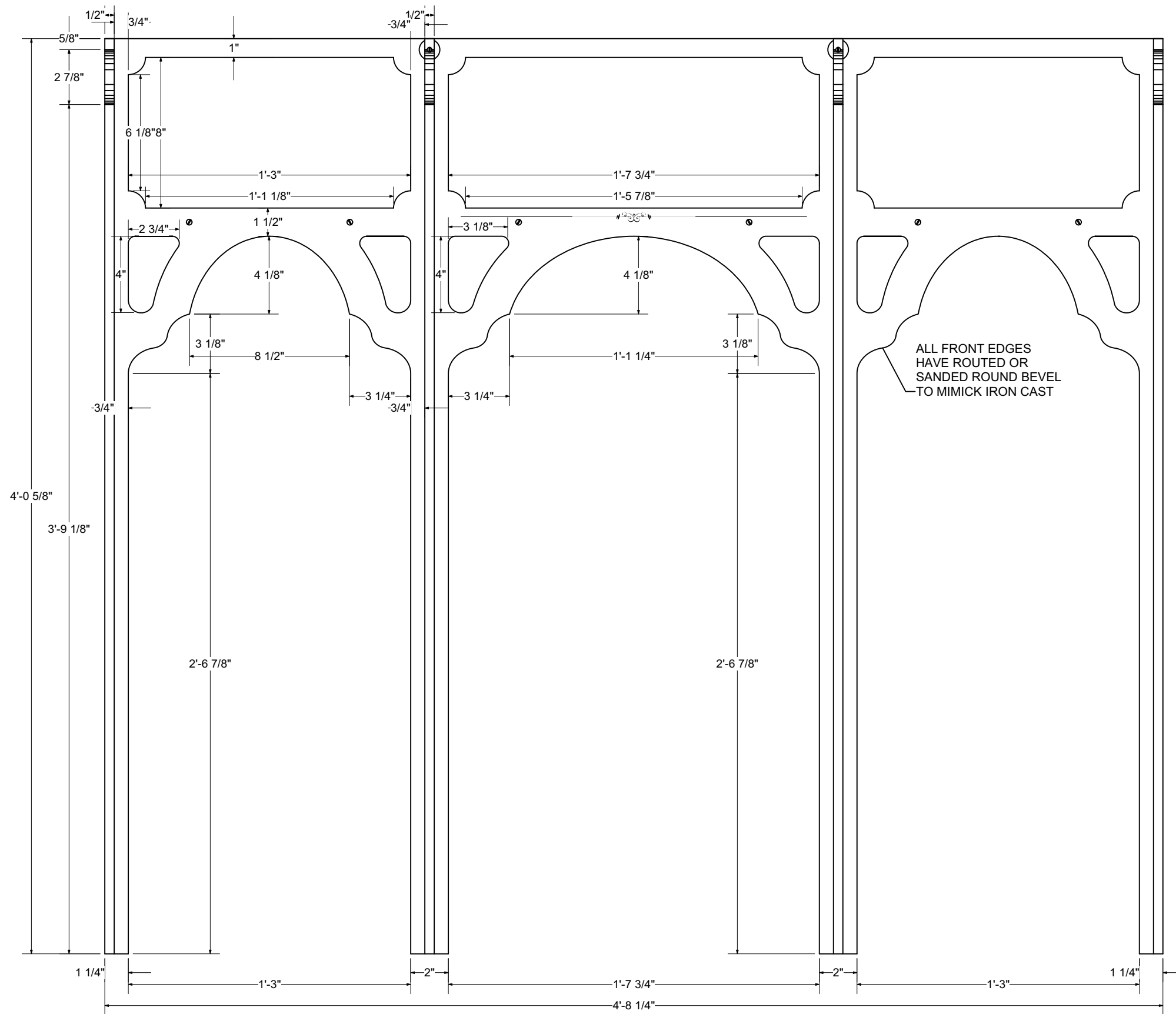
PIANO SHELL - BACK/SECT A

Date: 5.6.2022

Scale: AS NOTED

Plate: **2**

Of: 11



1 PIANO SHELL BACK DETAIL
Scale: 2" = 1'-0"

Production

Director: ISAAC LAMB
 Scenic Designer/Drawn By: ALEX MEYER
 Lighting Designer: TRENT ECCLES
 Costume Designer: DEMARA CABRERA
 Music Director: STEPHANIE SMITH
 Tech Director: MOLLY GARDNER

Notes:

Revision: 3

THE MUSIC MAN
 THIRD RAIL REPERTORY THEATRE

Venue: COHO THEATRE

PIANO SHELL - BACK DETAIL

Date: 5.6.2022

Scale: AS NOTED

Plate: **3**

Of: 11

Production

Director: ISAAC LAMB
 Scenic Designer/Drawn By: ALEX MEYER
 Lighting Designer: TRENT ECCLES
 Costume Designer: DEMARA CABRERA
 Music Director: STEPHANIE SMITH
 Tech Director: MOLLY GARDNER

Notes:
 ORIGINAL PIANO NOTED
 IN GRAY. WELDED FRAME
 NOTED IN DASHED LINES.

Revision: 3

THE MUSIC MAN
 THIRD RAIL REPERTORY THEATRE

Venue: COHO THEATRE

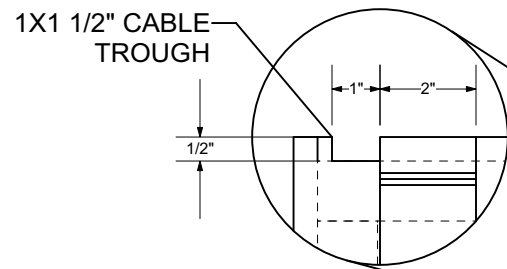
PIANO SHELL - SIDE/SECT B

Date: 5.6.2022

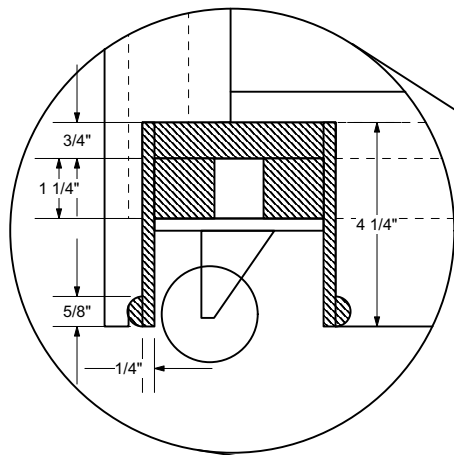
Scale: AS NOTED

Plate: **4**

Of: 11

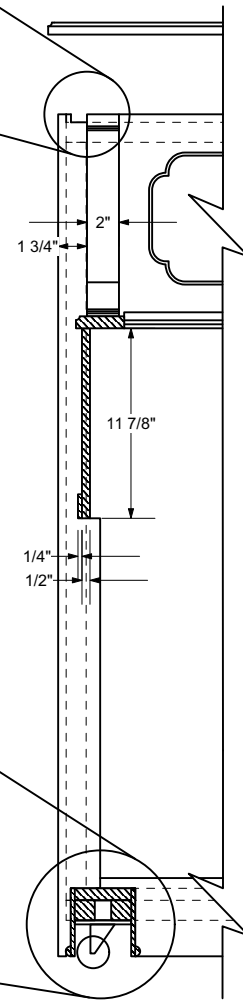


3 SECTION B - DETAIL 1
 Scale: 3" = 1'-0"

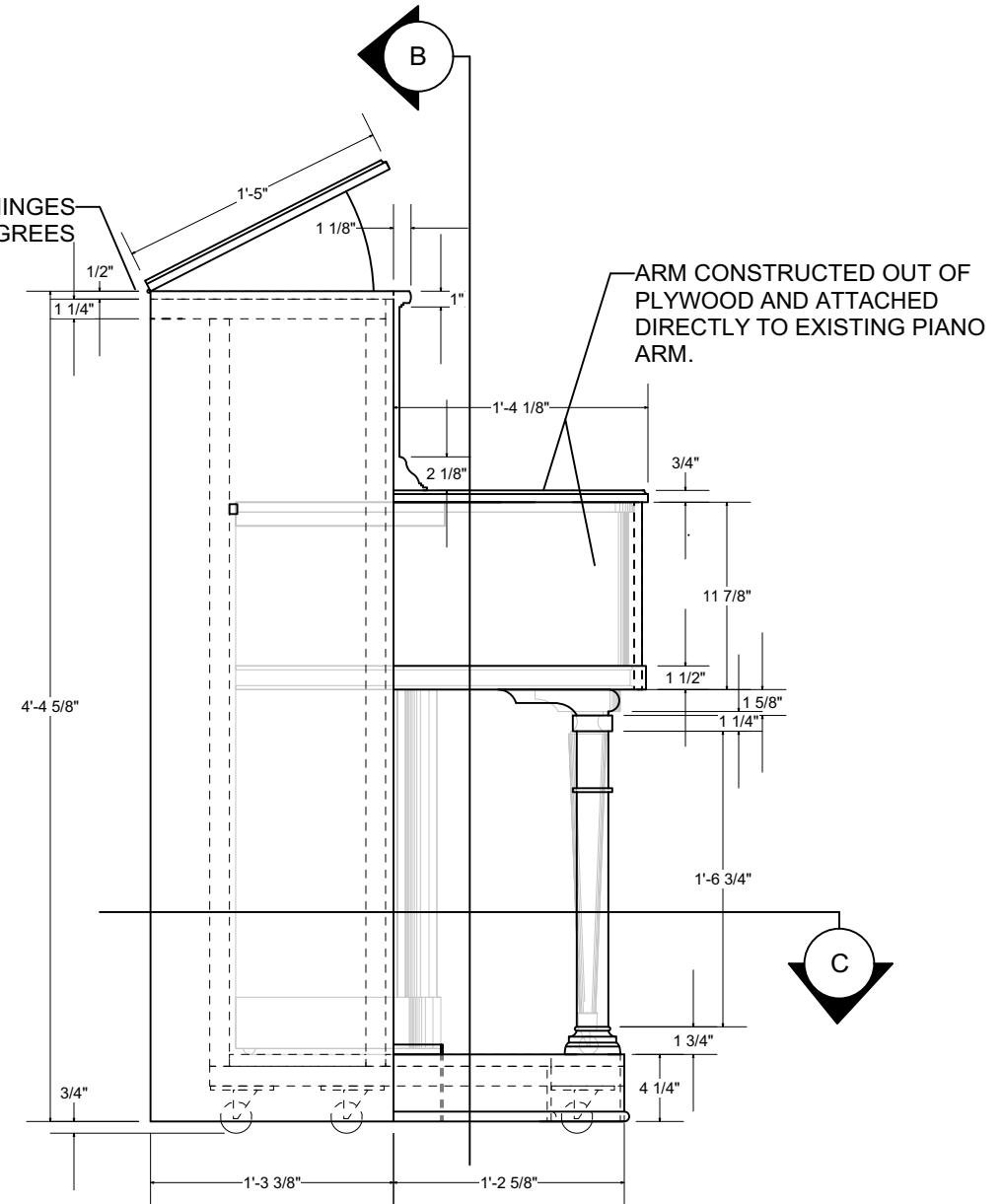


4 SECTION B - DETAIL 2
 Scale: 3" = 1'-0"

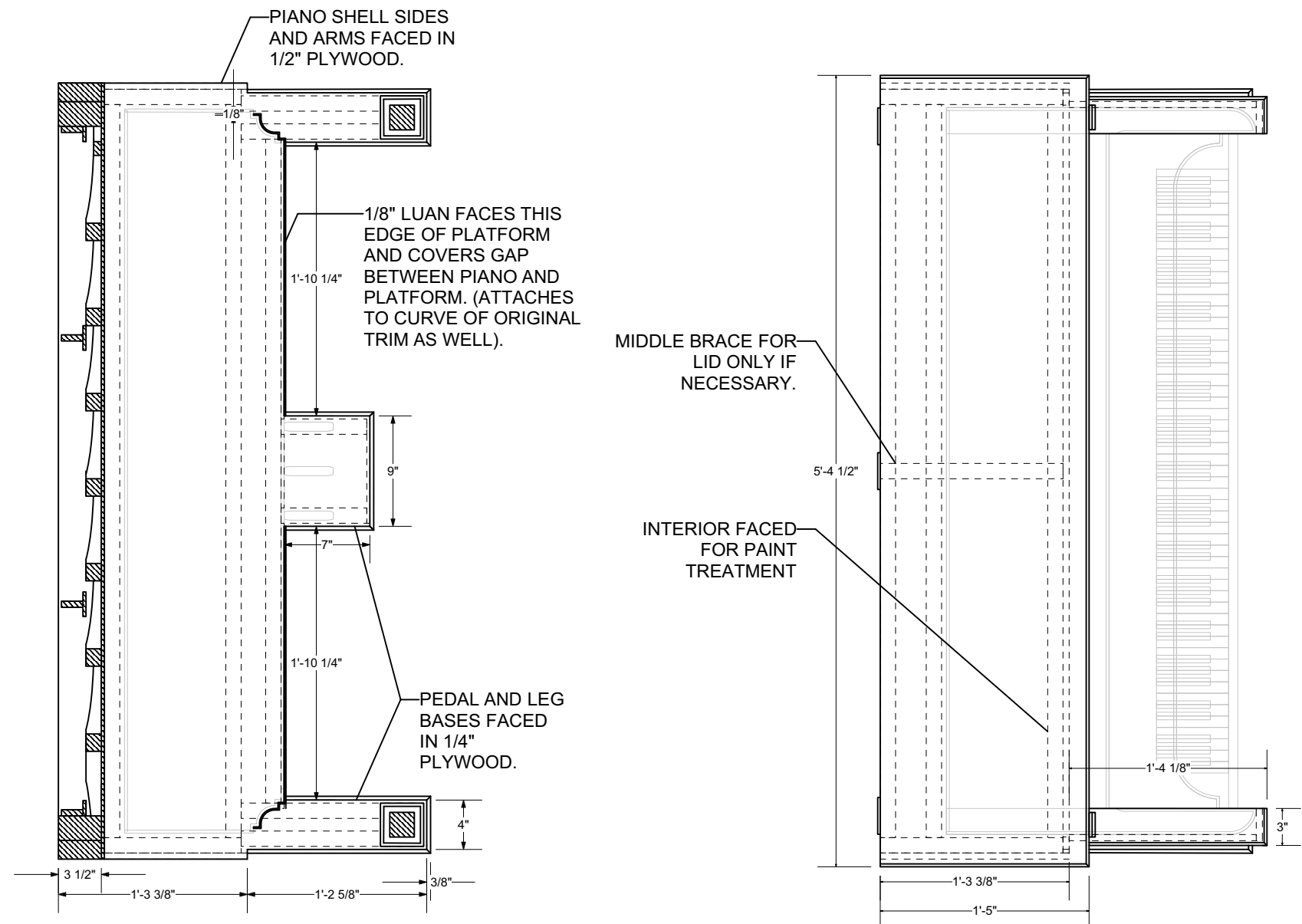
2 PIANO SHELL - SECTION B
 Scale: 1" = 1'-0"



PLYWOOD LID HINGES
 OPEN 270 DEGREES



1 PIANO SHELL - SIDE VIEW
 Scale: 1" = 1'-0"



2 PIANO SHELL - SECTION C
Scale: 1" = 1'-0"

1 PIANO SHELL - TOP VIEW
Scale: 1" = 1'-0"

Production

Director: ISAAC LAMB
 Scenic Designer/Drawn By: ALEX MEYER
 Lighting Designer: TRENT ECCLES
 Costume Designer: DEMARA CABRERA
 Music Director: STEPHANIE SMITH
 Tech Director: MOLLY GARDNER

Notes:
 ORIGINAL PIANO NOTED
 IN GRAY. WELDED FRAME
 NOTED IN DASHED LINES.

Revision: 3

THE MUSIC MAN
 THIRD RAIL REPERTORY THEATRE

Venue: COHO THEATRE

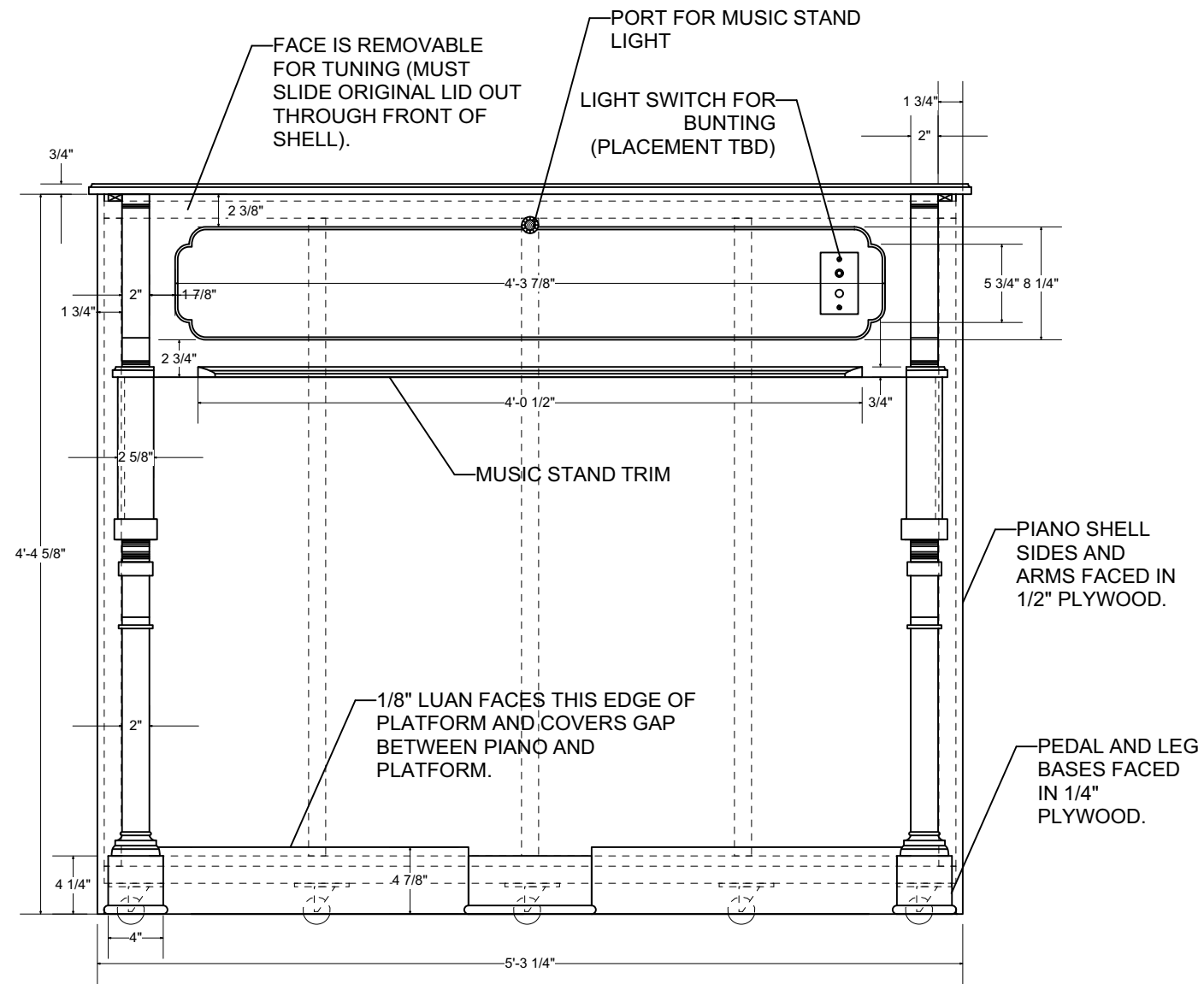
PIANO SHELL - TOP/SECT C

Date: 5.6.2022

Scale: AS NOTED

Plate: **5**

Of: 11



1 PIANO SHELL - FRONT VIEW
Scale: 1" = 1'-0"

Production

Director: ISAAC LAMB
 Scenic Designer/Drawn By: ALEX MEYER
 Lighting Designer: TRENT ECCLES
 Costume Designer: DEMARA CABRERA
 Music Director: STEPHANIE SMITH
 Tech Director: MOLLY GARDNER

Notes:
 WELDED FRAME NOTED
 IN DASHED LINES.

Revision: 3

THE MUSIC MAN
 THIRD RAIL REPERTORY THEATRE

Venue: COHO THEATRE

PIANO SHELL - FRONT VIEW

Date: 5.6.2022

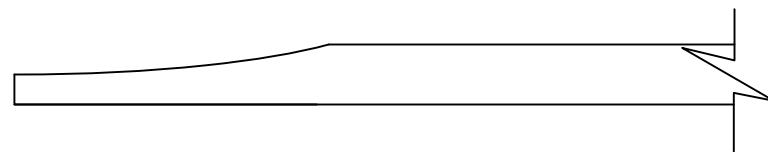
Scale: AS NOTED

Plate: **6**

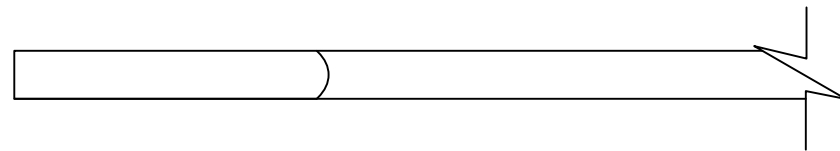
Of: 11



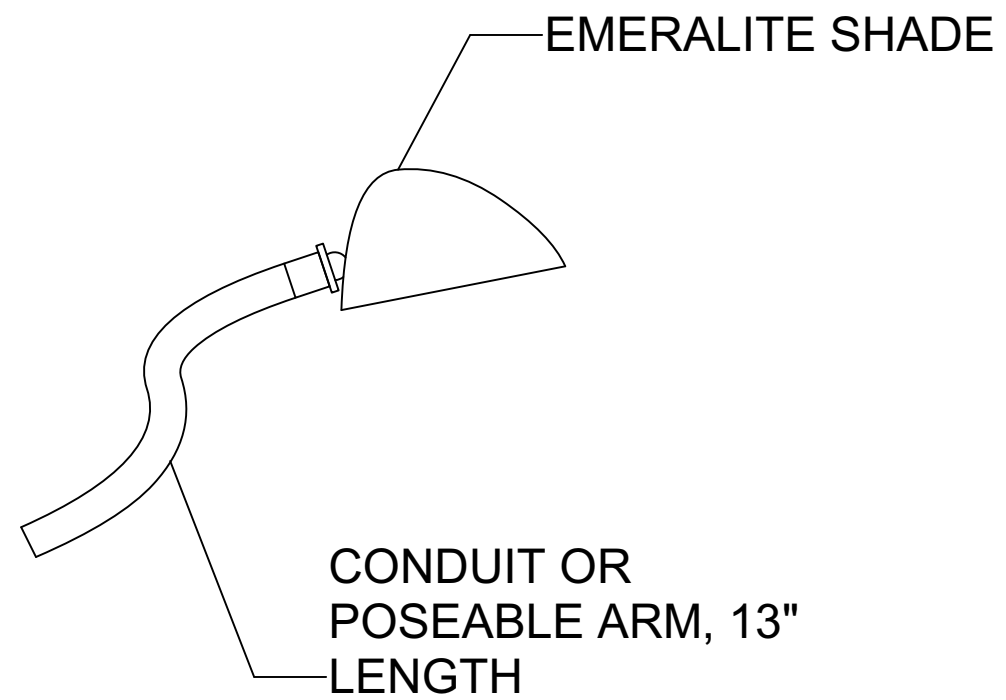
4 RIB (TYPICAL) - END VIEW
Scale: 3" = 1'-0"



2 RIB (TYPICAL) - TOP VIEW
Scale: 3" = 1'-0"



3 RIB (TYPICAL) - SIDE VIEW
Scale: 3" = 1'-0"



4 MUSIC STAND LIGHT
Scale: 3" = 1'-0"

Production

Director: ISAAC LAMB
 Scenic Designer/Drawn By: ALEX MEYER
 Lighting Designer: TRENT ECCLES
 Costume Designer: DEMARA CABRERA
 Music Director: STEPHANIE SMITH
 Tech Director: MOLLY GARDNER

Notes:

Revision: 3

THE MUSIC MAN
 THIRD RAIL REPERTORY THEATRE

Venue: COHO THEATRE

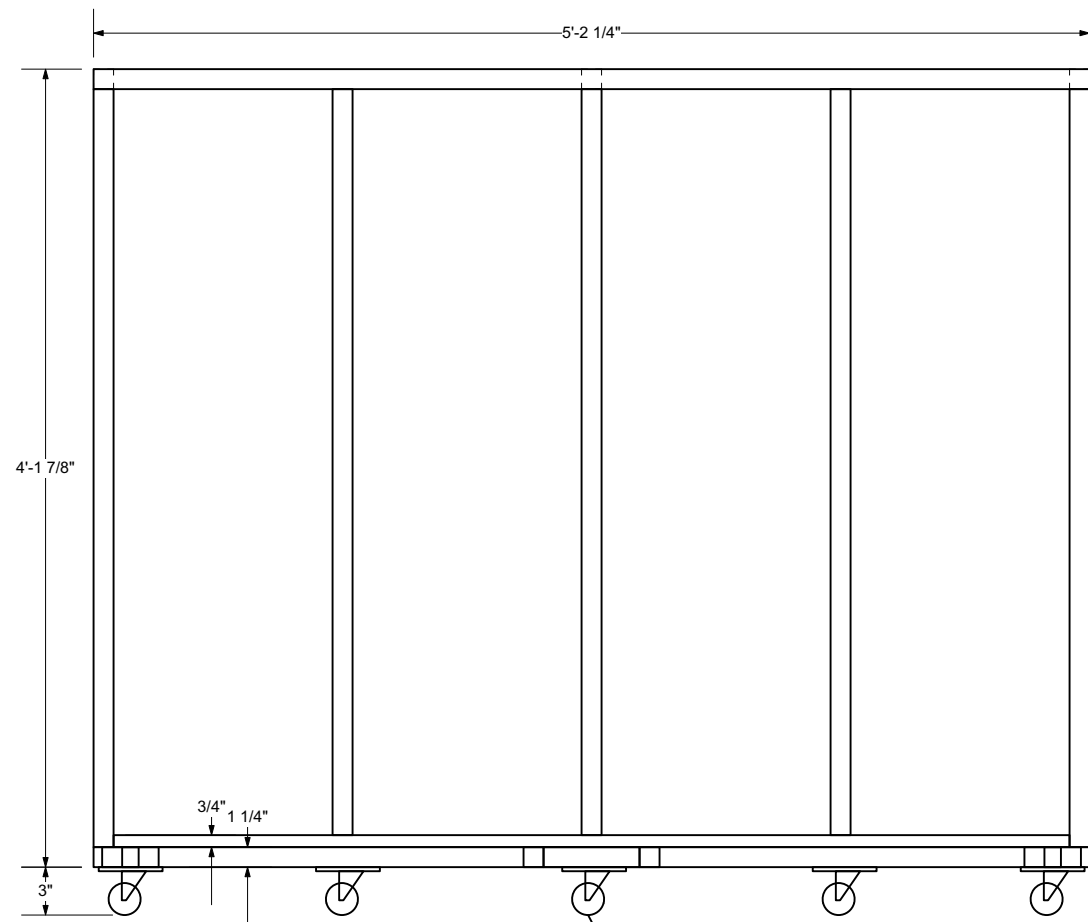
PIANO SHELL - RIB DETAIL

Date: 5.6.2022

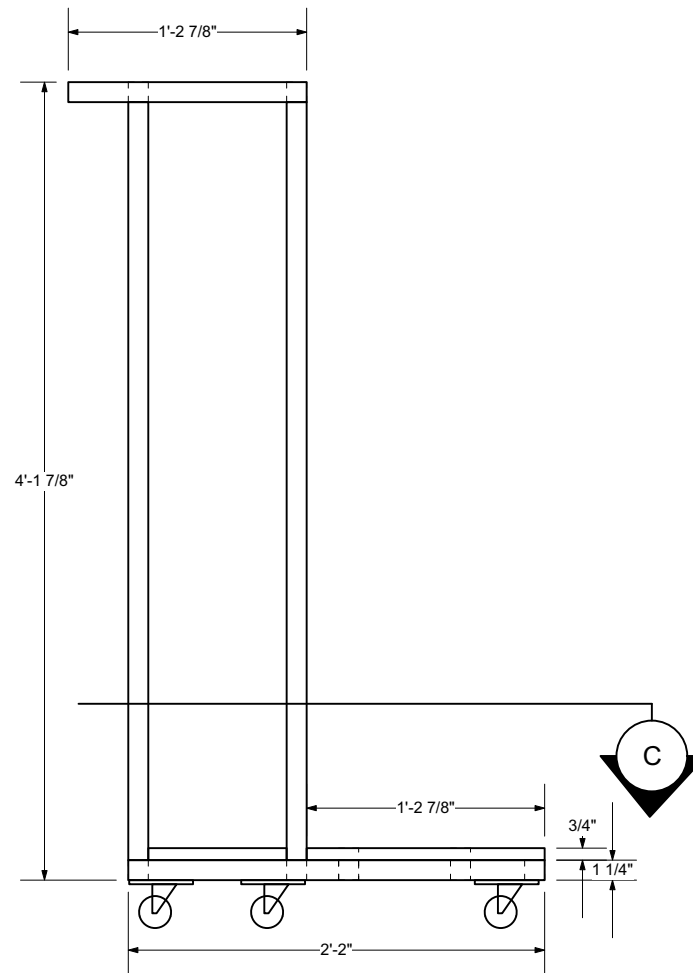
Scale: AS NOTED

Plate: **7**

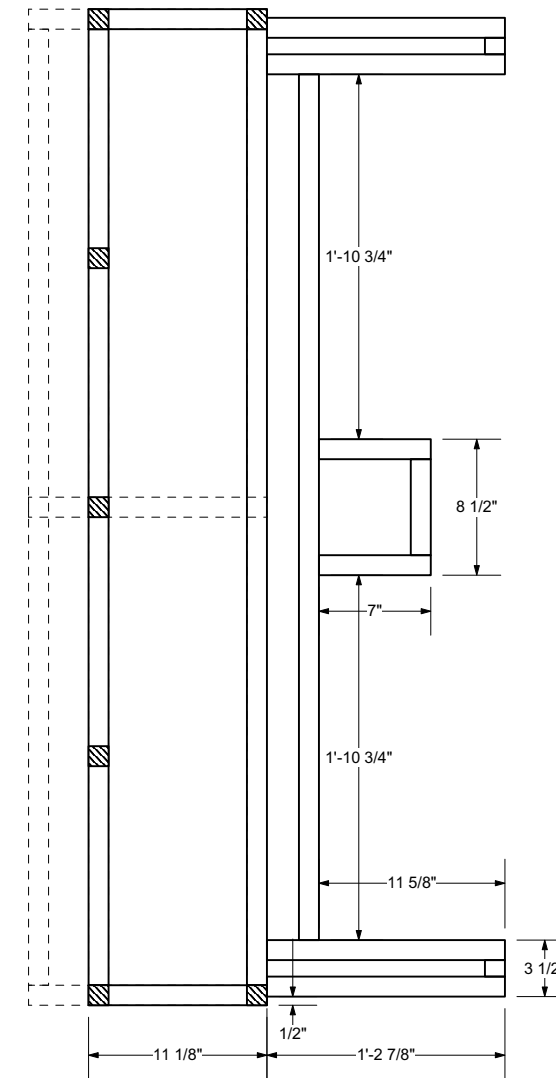
Of: 11



1 **FRAME - FRONT VIEW**
Scale: 1" = 1'-0"



2 **FRAME - SIDE VIEW**
Scale: 1" = 1'-0"



3 **FRAME - SECTION C**
Scale: 1" = 1'-0"

Production

Director: ISAAC LAMB
 Scenic Designer/Drawn By: ALEX MEYER
 Lighting Designer: TRENT ECCLES
 Costume Designer: DEMARA CABRERA
 Music Director: STEPHANIE SMITH
 Tech Director: MOLLY GARDNER

Notes:
 1 1/4" STEEL TUBE WITH
 3/4" PLYWOOD
 PLATFORM. CASTER
 PLACEMENT IS
 SUGGESTED.

Revision: 3

THE MUSIC MAN
 THIRD RAIL REPERTORY THEATRE

Venue: COHO THEATRE

PIANO SHELL - FRAME

Date: 5.6.2022

Scale: AS NOTED

Plate: **8**

Of: 11



1 PIANO SHELL - REFERENCE
Scale: 1 1/2" = 1'-0"



2 PIANO SHELL REFERENCE - DETAIL
Scale: 1 1/2" = 1'-0"

Production

Director: ISAAC LAMB
 Scenic Designer/Drawn By: ALEX MEYER
 Lighting Designer: TRENT ECCLES
 Costume Designer: DEMARA CABRERA
 Music Director: STEPHANIE SMITH
 Tech Director: MOLLY GARDNER

Notes:

Revision: 3

THE MUSIC MAN
 THIRD RAIL REPERTORY THEATRE

Venue: COHO THEATRE

PIANO SHELL - REFERENCE

Date: 5.6.2022

Scale: AS NOTED

Plate: **9**

Of: 11



1 PIANO SHELL - LEG AND FACE REFERENCE
Scale: 1 1/2" = 1'-0"



2 PIANO SHELL - MUSIC STAND TRIM REFERENCE
Scale: 1" = 1'-0"



3 PIANO SHELL - FRONT PANEL REFERENCE
Scale: 1" = 1'-0"



4 LIGHT SWITCH - REFERENCE
Scale: 1/2" = 1'-0"

Production

Director: ISAAC LAMB
Scenic Designer/Drawn By: ALEX MEYER
Lighting Designer: TRENT ECCLES
Costume Designer: DEMARA CABRERA
Music Director: STEPHANIE SMITH
Tech Director: MOLLY GARDNER

Notes:
RIBS, SOUNDBOARD,
LEGS, AND FACE DETAIL
MAY BE REPURPOSED
FROM FOUND PIANO

Revision: 3

THE MUSIC MAN
THIRD RAIL REPERTORY THEATRE

Venue: COHO THEATRE

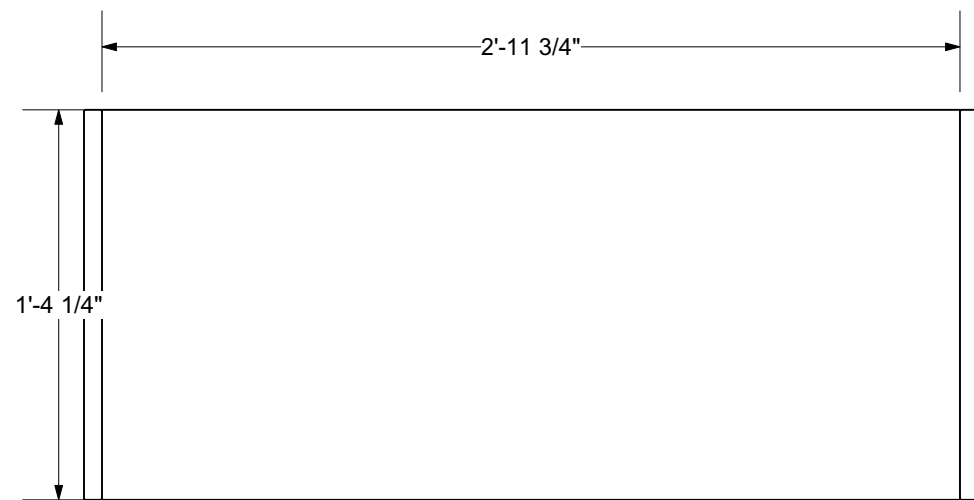
PIANO SHELL - REFERENCE

Date: 5.6.2022

Scale: AS NOTED

Plate: **10**

Of: 11

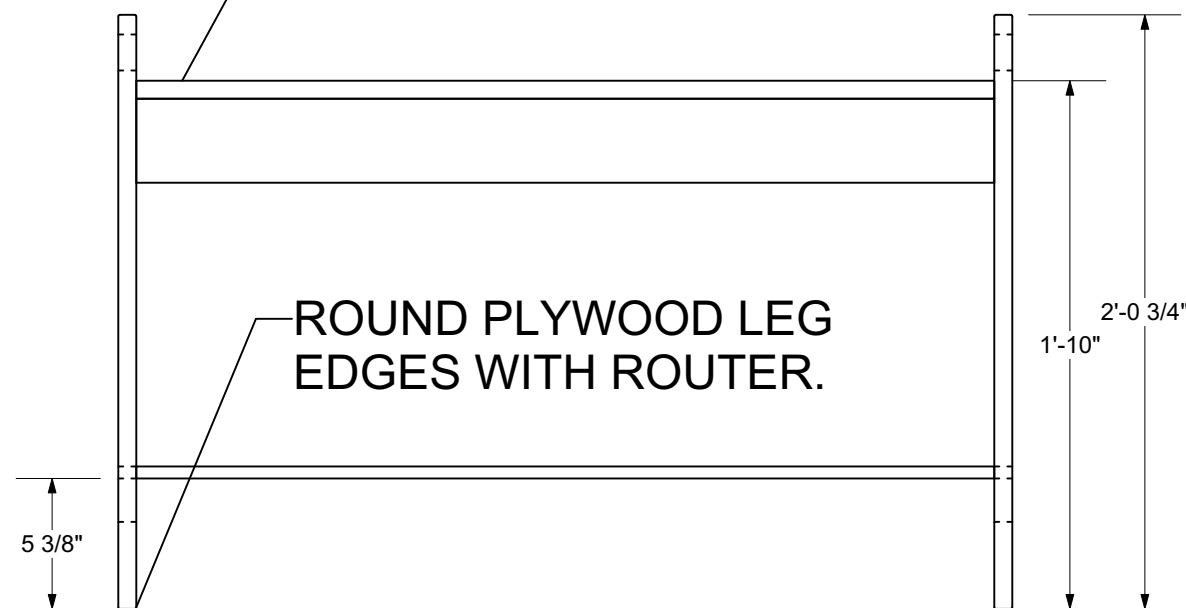


2 PIANO BENCH - TOP VIEW
Scale: 1 1/2" = 1'-0"



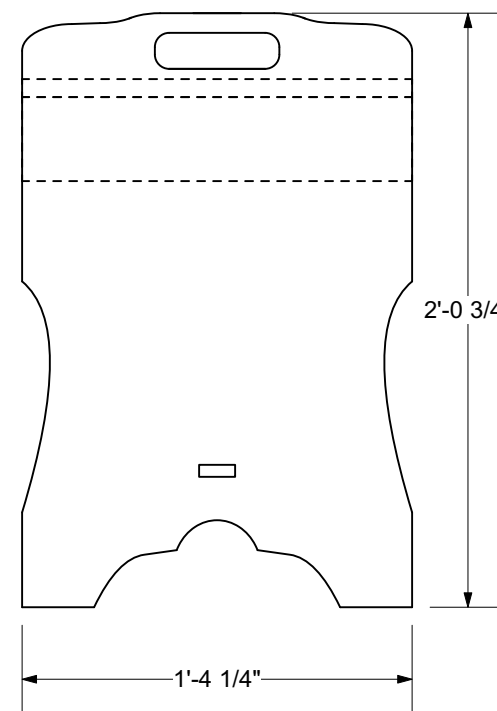
5 REFERENCE
Scale: 1" = 1'-0"

USE EXISTING SEAT AND HINGE HARDWARE. TO BE UPHOLSTERED WITH APPROX. 1/2" BATTING AND FABRIC. FABRIC PROVIDED BY DESIGNER.

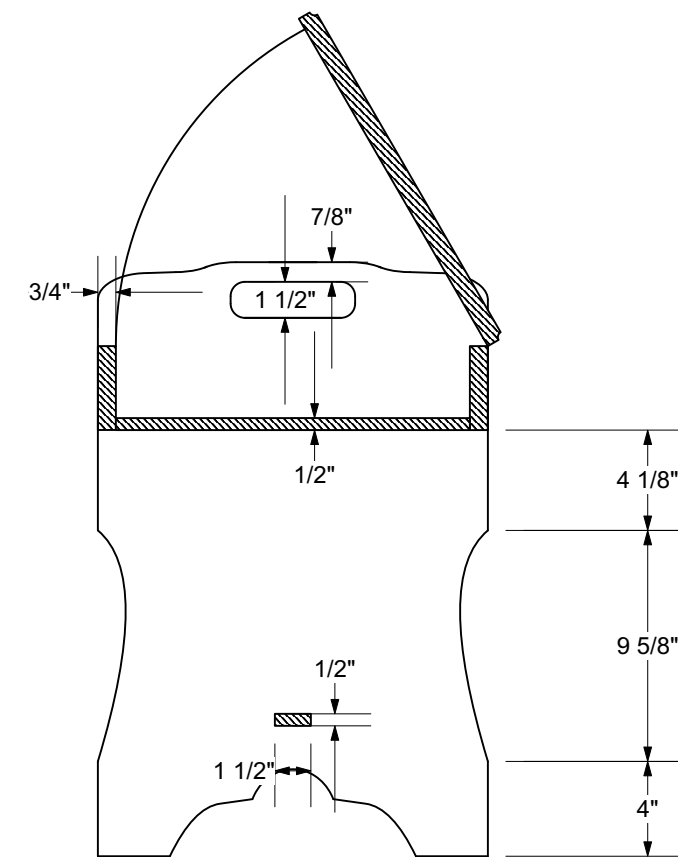


ROUND PLYWOOD LEG EDGES WITH ROUTER.

1 PIANO BENCH - FRONT VIEW
Scale: 1 1/2" = 1'-0"



4 PIANO BENCH - SECTION VIEW
Scale: 1 1/2" = 1'-0"



3 PIANO BENCH - SIDE VIEW
Scale: 1 1/2" = 1'-0"

Production

Director: ISAAC LAMB
Scenic Designer/Drawn By: ALEX MEYER
Lighting Designer: TRENT ECCLES
Costume Designer: DEMARA CABRERA
Music Director: STEPHANIE SMITH
Tech Director: MOLLY GARDNER

Notes:

Revision: 3

THE MUSIC MAN
THIRD RAIL REPERTORY THEATRE

Venue: COHO THEATRE

PIANO BENCH

Date: 5.6.2022

Scale: AS NOTED

Plate: **11**

Of: 11