

1 PLAN  
Scale: 1/4" = 1'-0"

**Production**

Director: DANI BALDWIN  
 Scenic Designer: ALEX MEYER  
 Lighting Designer: ALLISON BLAINE  
 Costume Designer: SYDNEY DUFKA  
 Projection Designer: ARTURO MARTININI  
 Tech Director:

Notes: ALL ARCHITECTURAL DIMENSIONS ARE APPROXIMATE

Revision: 1

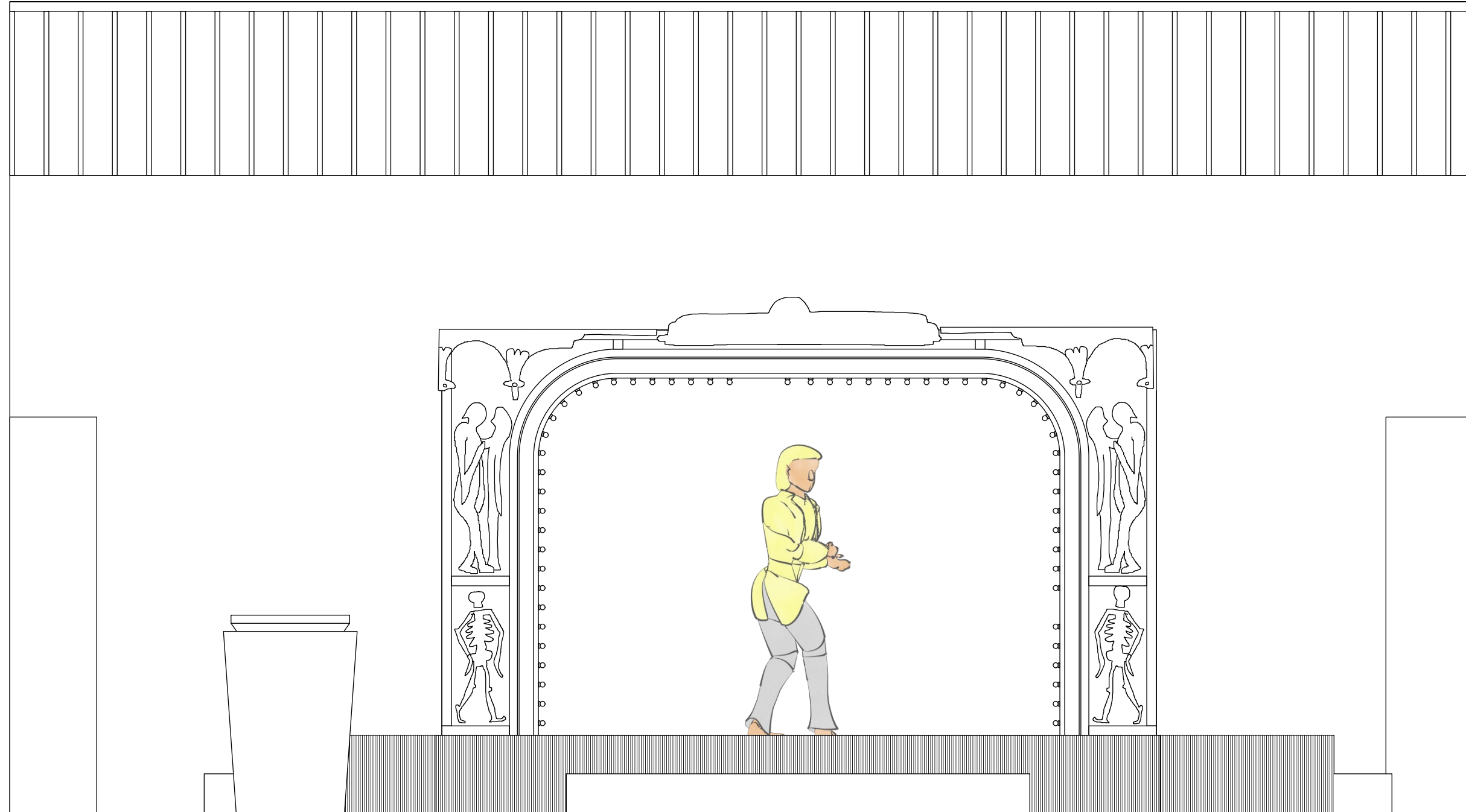
**PESTILENCE: WOW!**  
 OREGON CHILDREN'S THEATRE, YP CO.

Venue: ALBERTA HOUSE

**SCENIC: PLAN**

Date: 8.20.22  
 Scale: AS NOTED

Plate: **1**  
 Of: 7



1 FRONT ELEVATION  
Scale: 1/2" = 1'-0"

**Production**

Director: DANI BALDWIN  
 Scenic Designer: ALEX MEYER  
 Lighting Designer: ALLISON BLAINE  
 Costume Designer: SYDNEY DUFKA  
 Projection Designer: ARTURO MARTININI  
 Tech Director:

**Notes:**

Revision: 1

**PESTILENCE: WOW!**

OREGON CHILDREN'S THEATRE, YP CO.

Venue: ALBERTA HOUSE

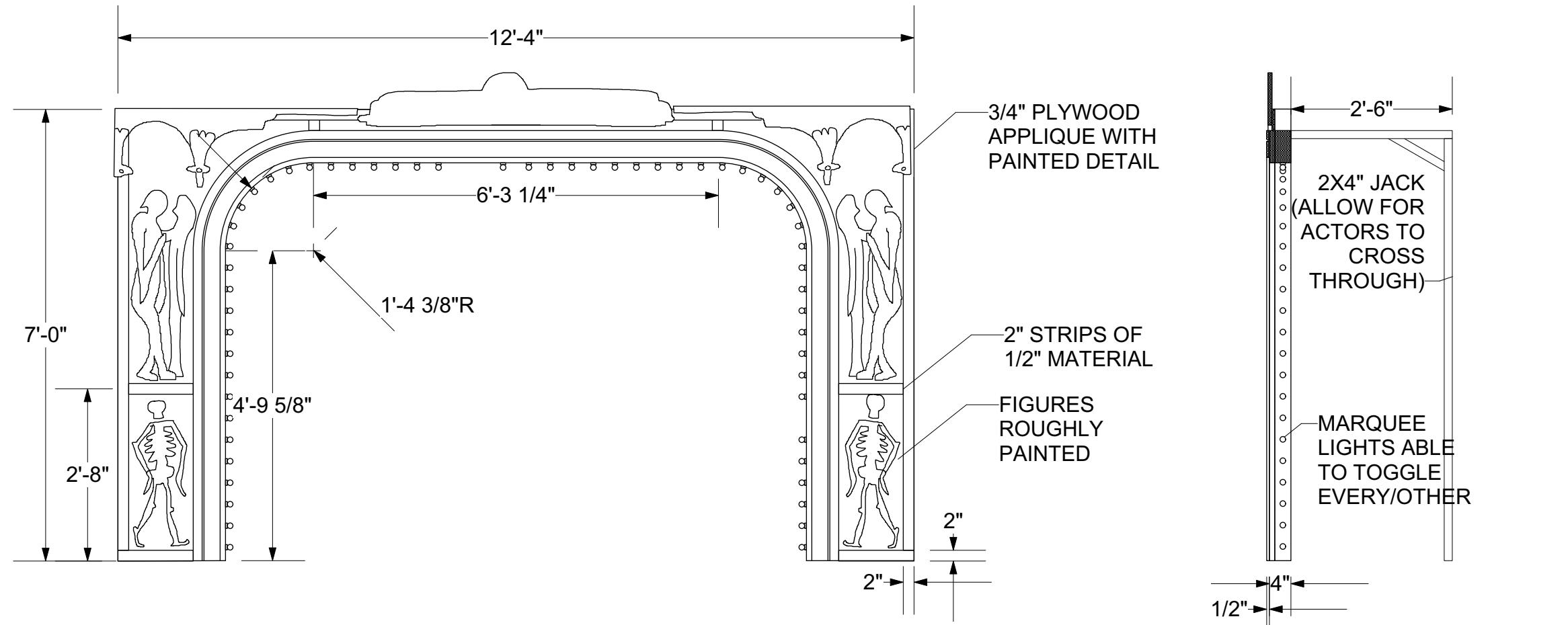
**SCENIC: FRONT ELEVATION**

Date: 8.20.22

Scale: AS NOTED

Plate: **2**

Of: 7



1 PROSCENIUM - FRONT  
Scale: 1/2" = 1'-0"

2 PROSCENIUM - CL SECTION  
Scale: 1/2" = 1'-0"

**Production**

Director: DANI BALDWIN  
 Scenic Designer: ALEX MEYER  
 Lighting Designer: ALLISON BLAINE  
 Costume Designer: SYDNEY DUFKA  
 Projection Designer: ARTURO MARTININI  
 Tech Director:

Notes:

Revision: 1

**PESTILENCE: WOW!**  
 OREGON CHILDREN'S THEATRE, YP CO.

Venue: ALBERTA HOUSE

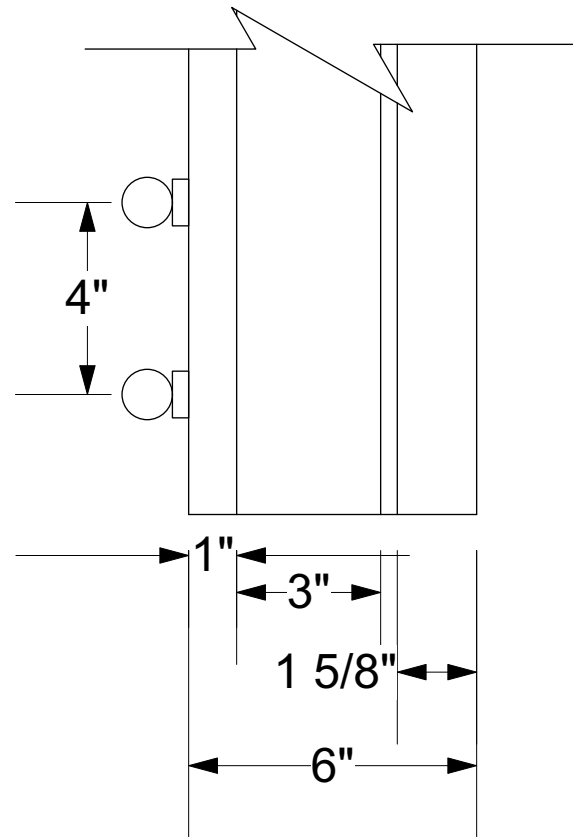
**SCENIC: PROSCENIUM**

Date: 8.20.22

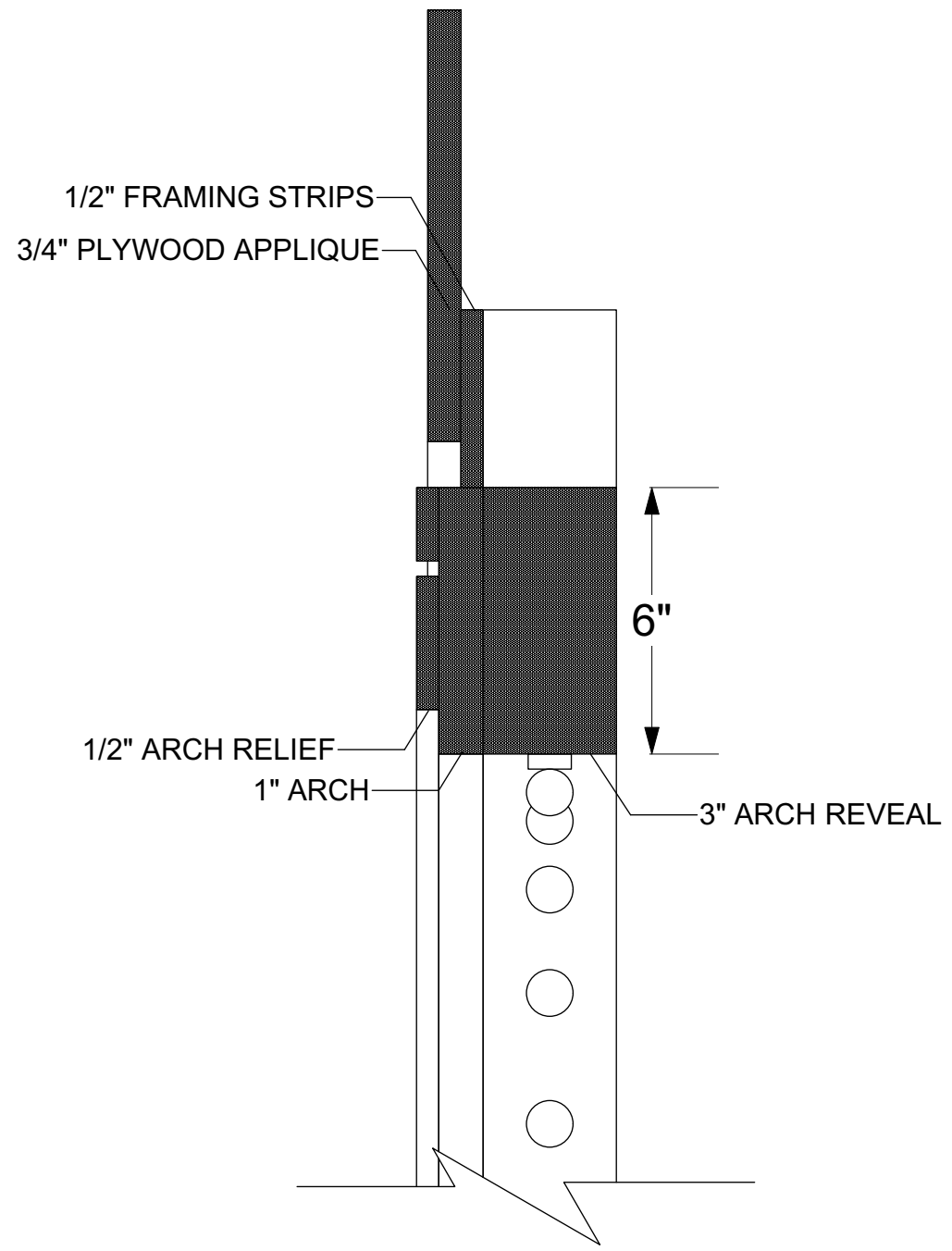
Scale: AS NOTED

Plate: **3**

Of: 7



1 PROSCENIUM - ARCH DETAIL  
Scale: 3" = 1'-0"



3 PROSCENIUM CL SECTION - DETAIL  
Scale: 3" = 1'-0"

**Production**

Director: DANI BALDWIN  
Scenic Designer: ALEX MEYER  
Lighting Designer: ALLISON BLAINE  
Costume Designer: SYDNEY DUFKA  
Projection Designer: ARTURO MARTININI  
Tech Director:

**Notes:**

**PESTILENCE: WOW!**  
OREGON CHILDREN'S THEATRE, YP CO.  
Venue: ALBERTA HOUSE

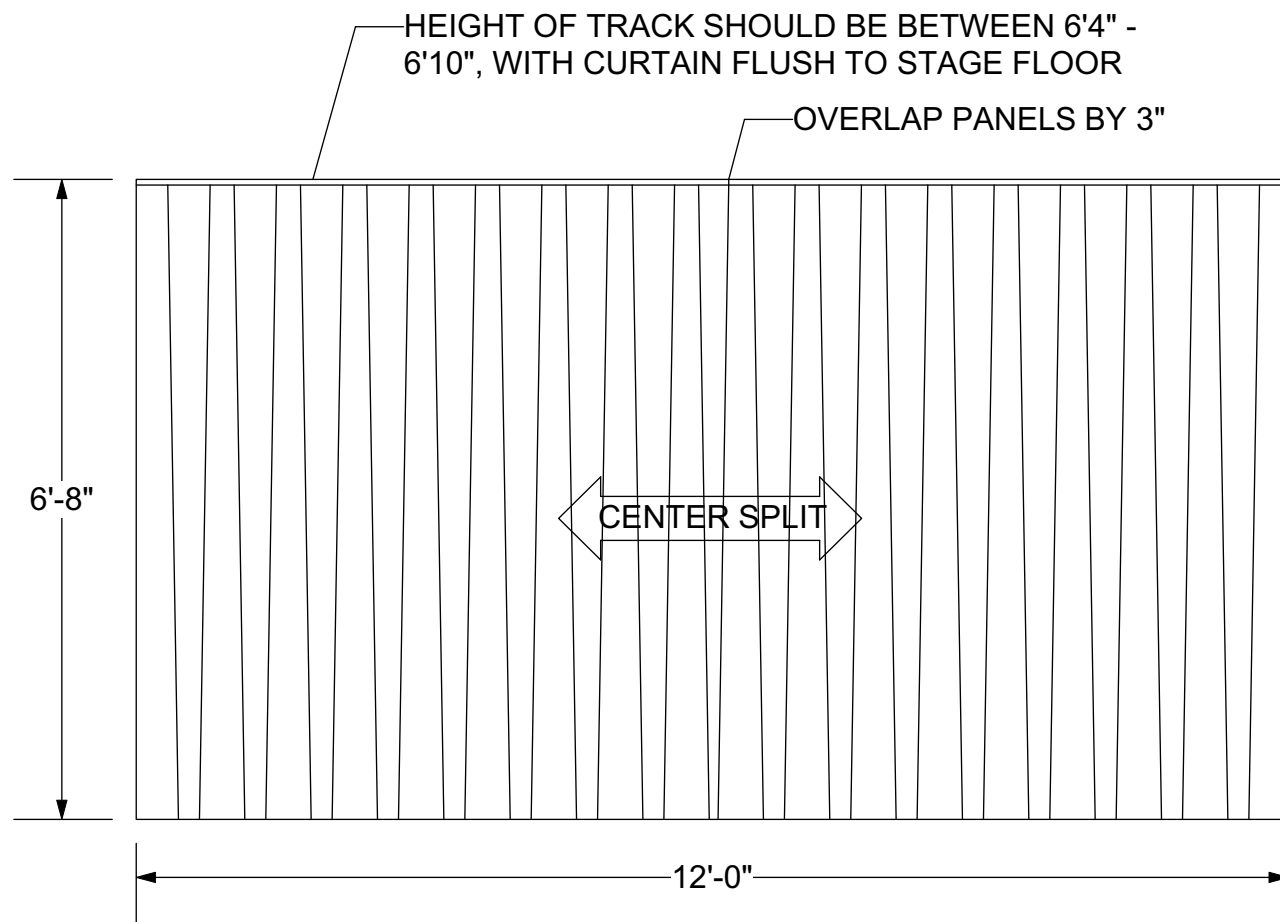
**SCENIC: PROSCENIUM DETAIL** Revision: 1

Date: 8.20.22

Scale: AS NOTED

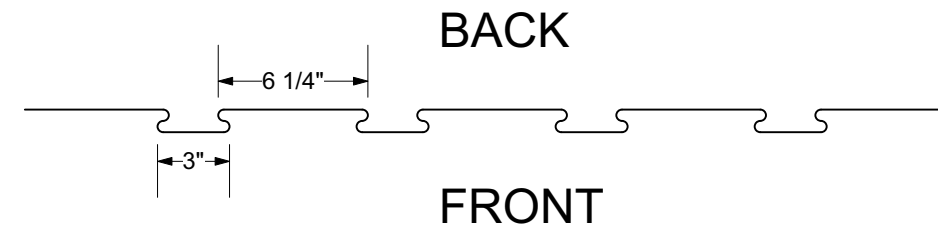
Plate: **4**

Of: 7



- BURNT ORANGE VELOUR FABRIC, HUNG AT 100% FULLNESS.
- HUNG BY WALL-MOUNT TRAVERSE TRACK ON US SIDE OF PROSCENIUM WITH OFFSTAGE PULL.
- GROMMET AS NECESSARY FOR HANGING.
- FABRIC IS WORN AND PATCHED (REF. PAINT ELEVATION)
- DISCUSS USING EXISTING CURTAINS (THRIFTED, PURCHASED) WITH DESIGNER.
- NO CHAIN POCKET NEEDED.

1 TRAVELER - FRONT  
Scale: 1/2" = 1'-0"



2 TRAVELER - DETAIL  
Scale: 1 1/2" = 1'-0"

**Production**

Director: DANI BALDWIN  
 Scenic Designer: ALEX MEYER  
 Lighting Designer: ALLISON BLAINE  
 Costume Designer: SYDNEY DUFKA  
 Projection Designer: ARTURO MARTININI  
 Tech Director:

**Notes:**

Revision: 1

**PESTILENCE: WOW!**  
 OREGON CHILDREN'S THEATRE, YP CO.

Venue: ALBERTA HOUSE

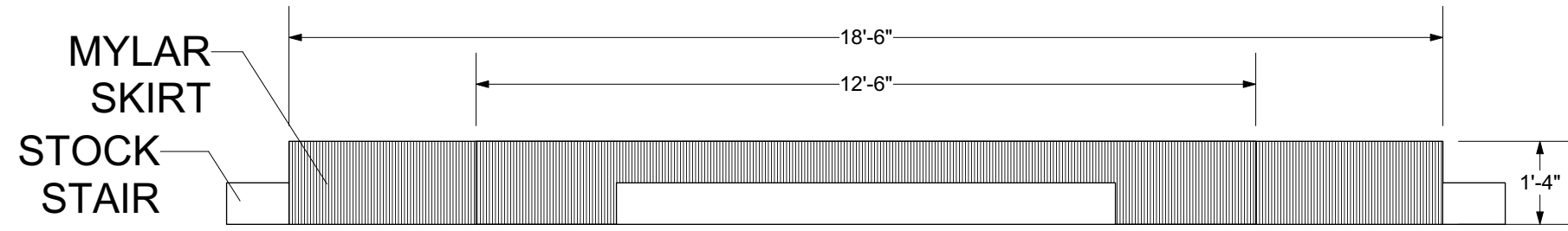
**SCENIC: TRAVELER**

Date: 8.20.22

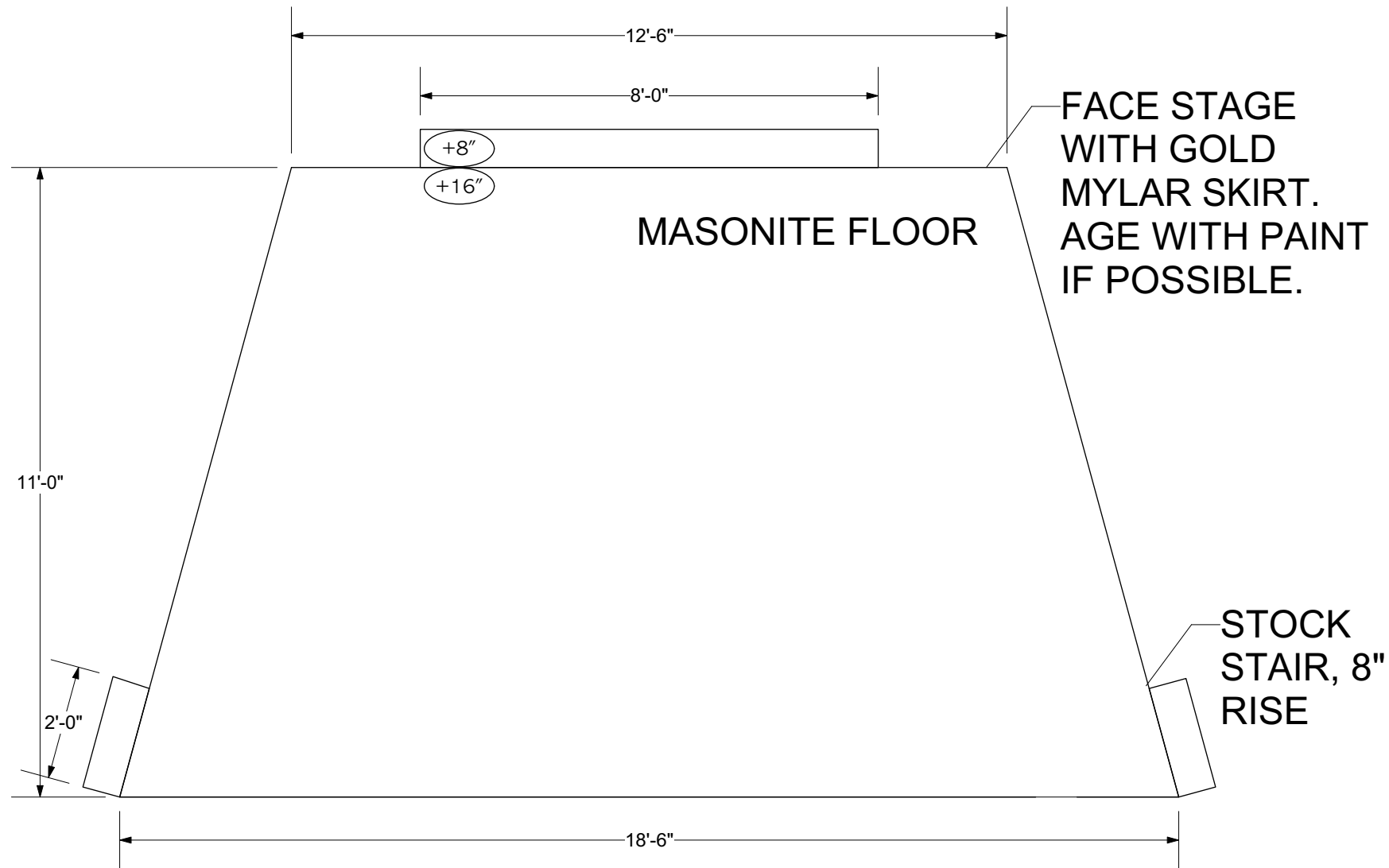
Scale: AS NOTED

Plate: **5**

Of: 7



2 STAGE - FRONT  
Scale: 3/8" = 1'-0"



1 STAGE - PLAN  
Scale: 3/8" = 1'-0"

**Production**

Director: DANI BALDWIN  
Scenic Designer: ALEX MEYER  
Lighting Designer: ALLISON BLAINE  
Costume Designer: SYDNEY DUFKA  
Projection Designer: ARTURO MARTININI  
Tech Director:

**Notes:**

Revision: 1

**PESTILENCE: WOW!**

OREGON CHILDREN'S THEATRE, YP CO.

Venue: ALBERTA HOUSE

**SCENIC: STAGE**

Date: 8.20.22

Scale: AS NOTED

Plate:

**6**

Of: 7



1 STOCK STAIR REFERENCE  
NOT TO SCALE  
(SINGLE STAIR)

SKIRT STAIRS WITH MYLAR IF UNABLE TO SOURCE THE IMAGE



<https://www.christmaslightsetc.com/p/G40-Opaque-Steady-Multicolor-Prelamped-25-Light-Set-Green-Wire-12-Spacing-60145.htm>

2 MARQUEE REFERENCE  
NOT TO SCALE

DISCUSS  
DISTRESSING/PAINTING  
BULBS WITH DESIGNER

**Production**

Director: DANI BALDWIN  
Scenic Designer: ALEX MEYER  
Lighting Designer: ALLISON BLAINE  
Costume Designer: SYDNEY DUFKA  
Projection Designer: ARTURO MARTININI  
Tech Director:

Notes:

Revision: 1

**PESTILENCE: WOW!**  
OREGON CHILDREN'S THEATRE, YP CO.

Venue: ALBERTA HOUSE

**SCENIC: REFERENCE**

Date: 8.20.22

Scale: AS NOTED

Plate: **7**

Of: 7