

1 PLAN  
Scale: 3/16" = 1'-0"

**Production**

Director: DMAE LO ROBERTS  
 Set/Drawn by: ALEX MEYER  
 Lights: BLANCA FORZAN  
 Costumes: WANDA WALDEN  
 Props: AMANDA VANDERHDE  
 Projections:

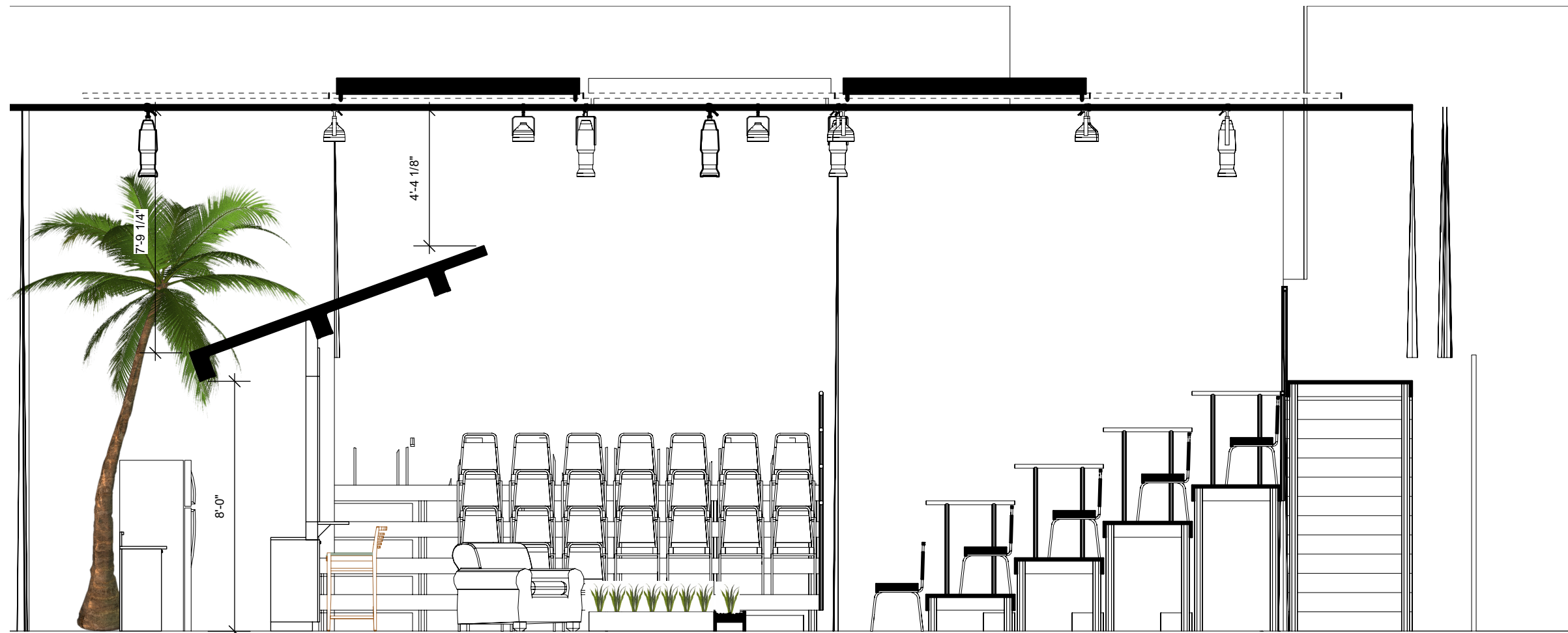
**Revisions:**

#	Description	Date
A	Prelim Design	2.2.24

**YOHEN**  
 PASSINART THEATRE  
 Venue: BRUNISH  
**PLAN**

DATE: 2.2.24  
 Scale: AS NOTED

Plate: **1**  
 Of: 8



1

SL SECTION  
Scale: 1/4" = 1'-0"

Plate:

2

Of: 8

**YOHEN**  
PASSINART THEATRE

Venue: BRUNISH

SL SECTION

Revisions:  
# Description  
A Prelim Design

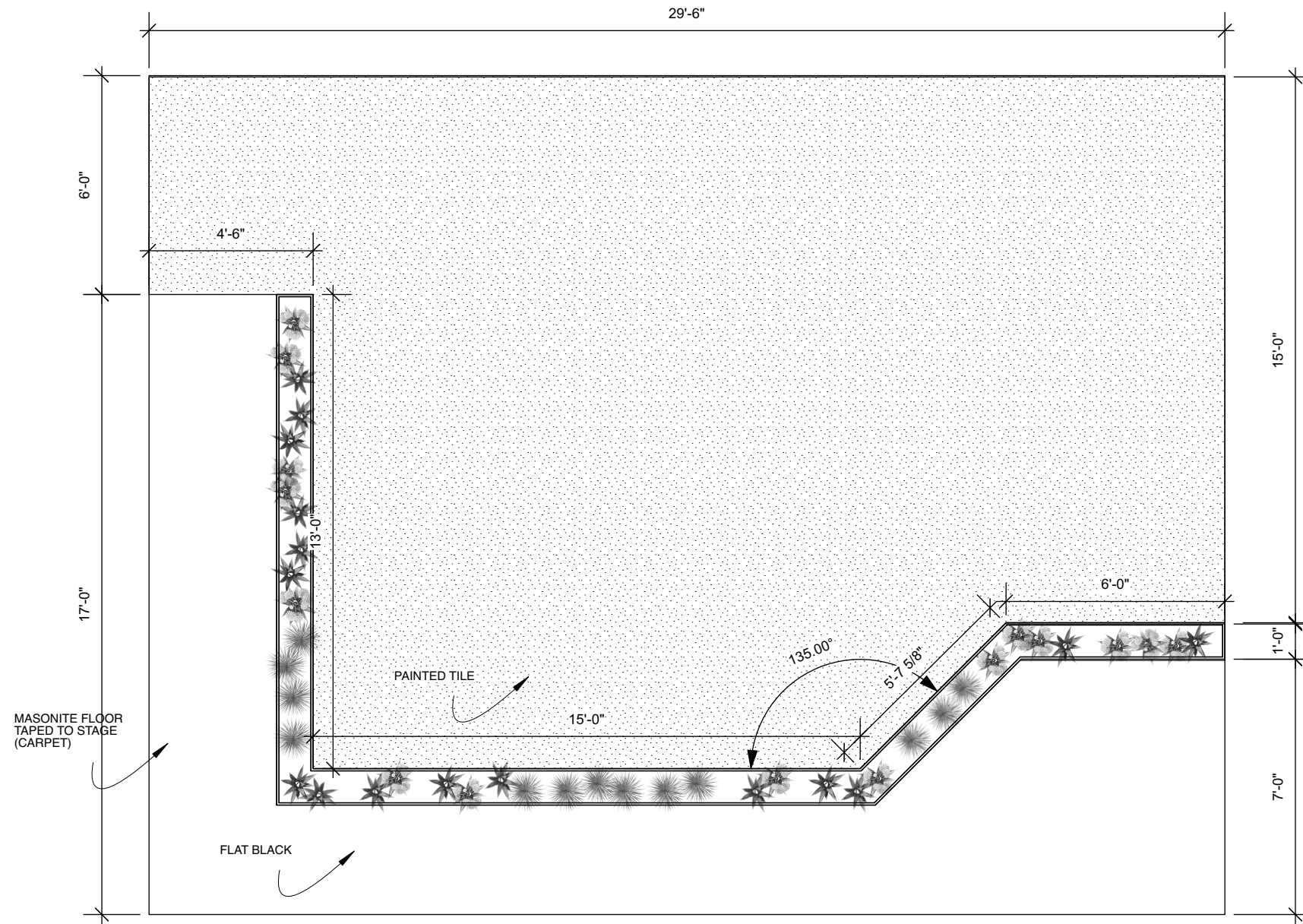
Date  
2.2.24

Production

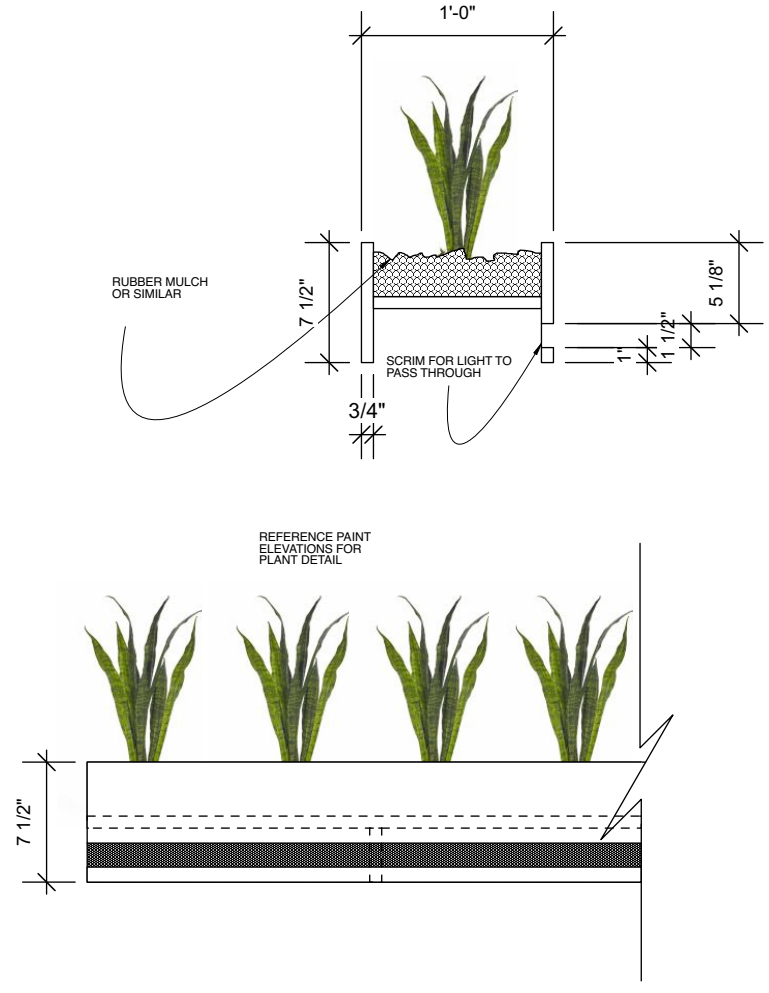
Director: DMAE LO ROBERTS  
Set/Drawn by: ALEX MEYER  
Lights: BLANCA FORZAN  
Costumes: WANDA WALDEN  
Props: AMANDA VANDERHDE  
Projections:

DATE: 2.2.24

Scale: AS NOTED



1 **FLOOR/PLANTERS**  
Scale: 1/4" = 1'-0"



2 **PLANTER DETAIL (TYPICAL)**  
Scale: 1" = 1'-0"

**Production**

Director:	DMAE LO ROBERTS
Set/Drawn by:	ALEX MEYER
Lights:	BLANCA FORZAN
Costumes:	WANDA WALDEN
Props:	AMANDA VANDERHDE
Projections:	

Revisions:	Date
#	Description
A	Prelim Design

2.2.24

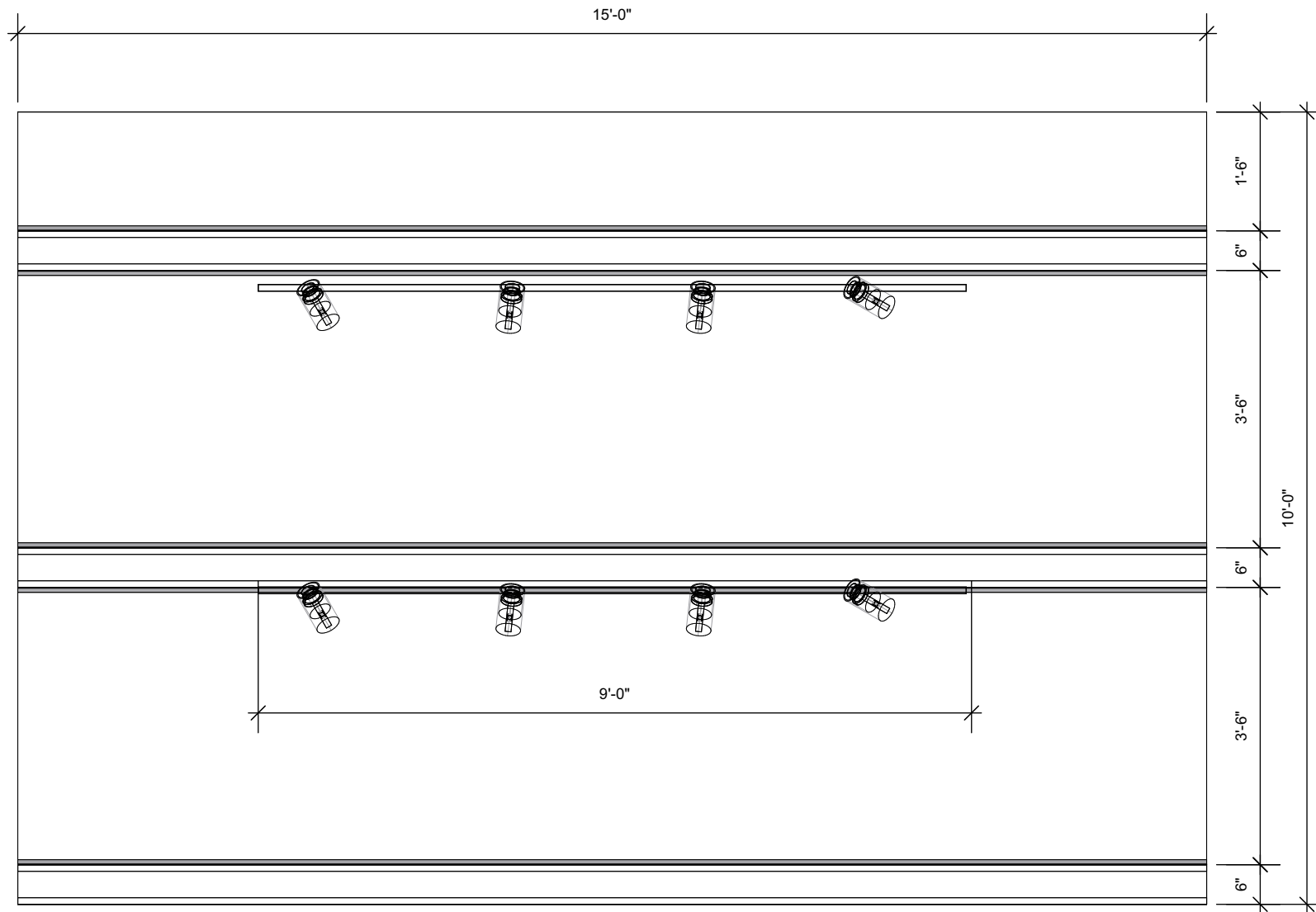
<b>YOHEN</b>	
PASSINART THEATRE	
Venue: BRUNISH	
<b>FLOOR</b>	

DATE: 2.2.24

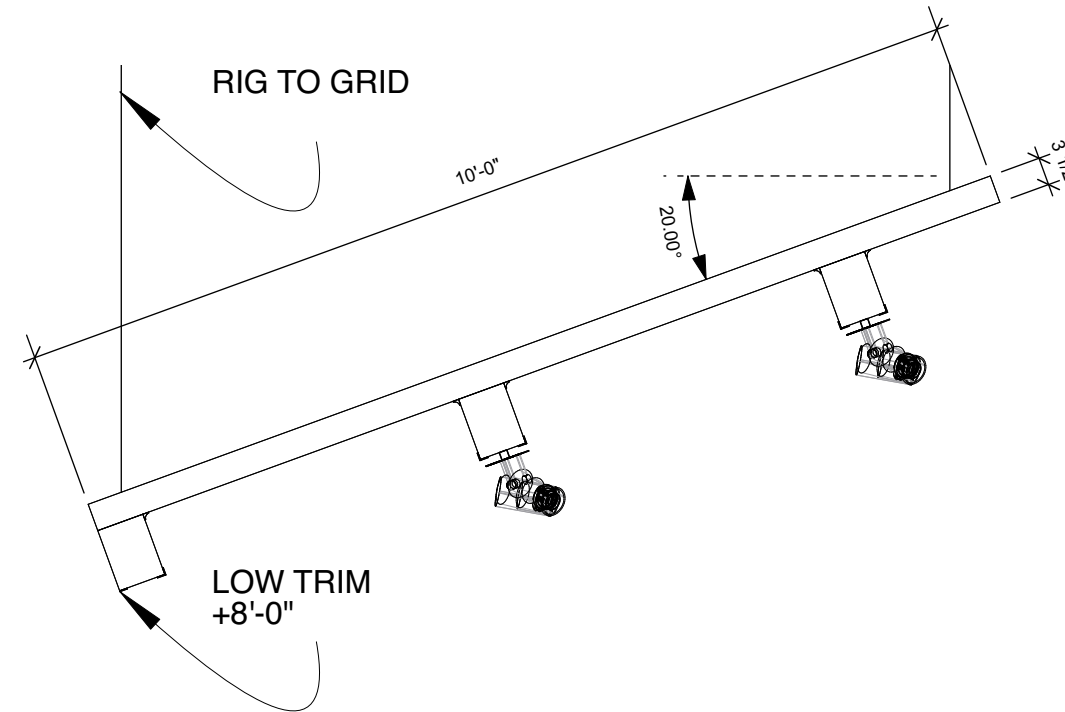
Scale: AS NOTED

Plate: **3**

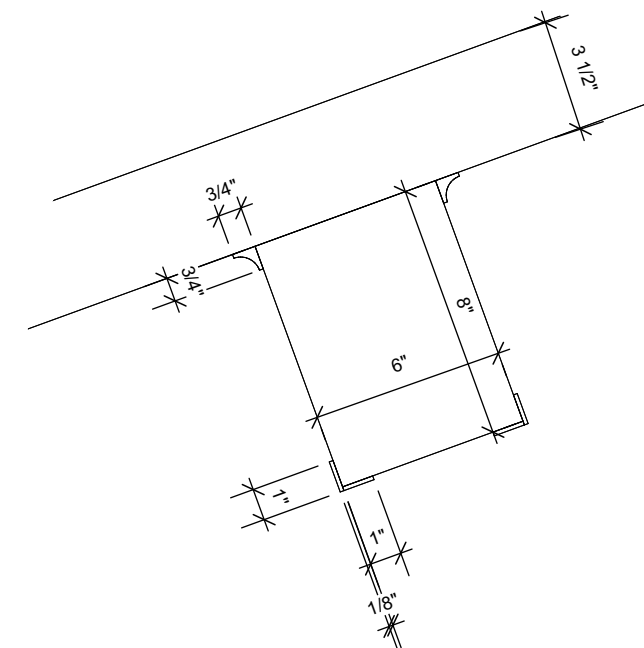
Of: 8



2 CEILING BOTTOM  
Scale: 1/2" = 1'-0"



1 CEILING SIDE  
Scale: 1/2" = 1'-0"



4 CEILING DETAIL  
Scale: 2" = 1'-0"

**Production**

Director: DMAE LO ROBERTS  
Set/Drawn by: ALEX MEYER  
Lights: BLANCA FORZAN  
Costumes: WANDA WALDEN  
Props: AMANDA VANDERHDE  
Projections:

Revisions:  
# Description  
A Prelim Design  
Date 2.2.24

**YOHEN**  
PASSINART THEATRE

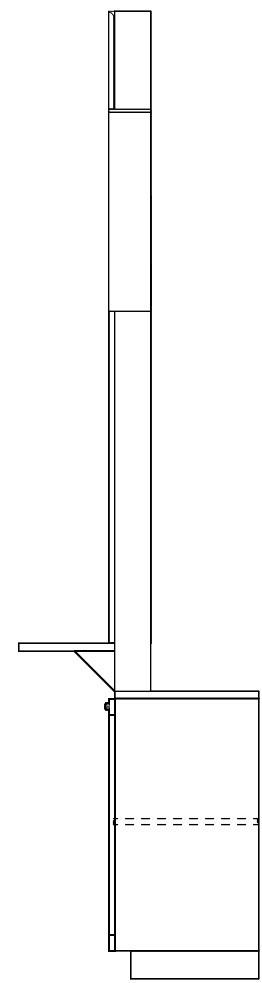
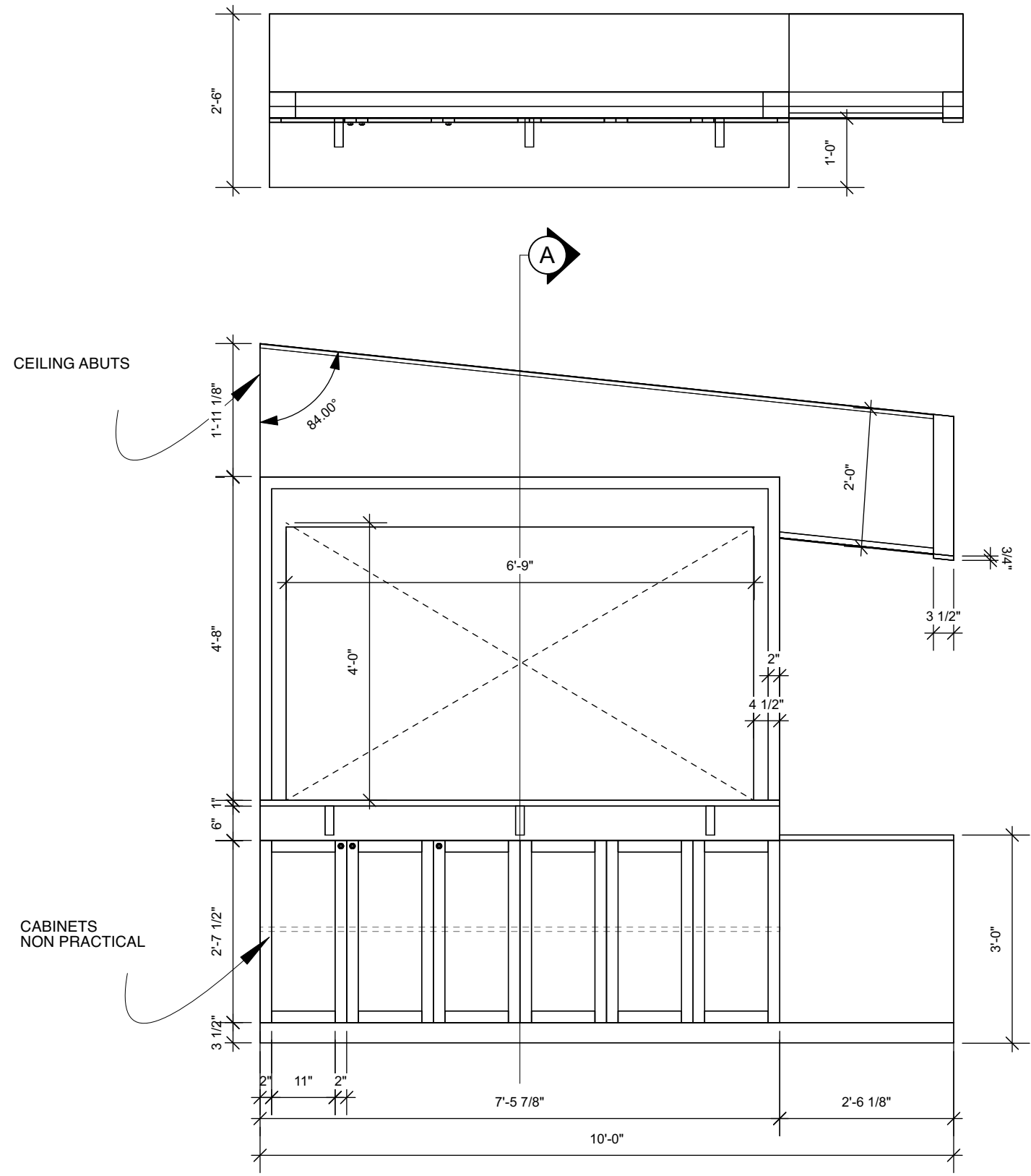
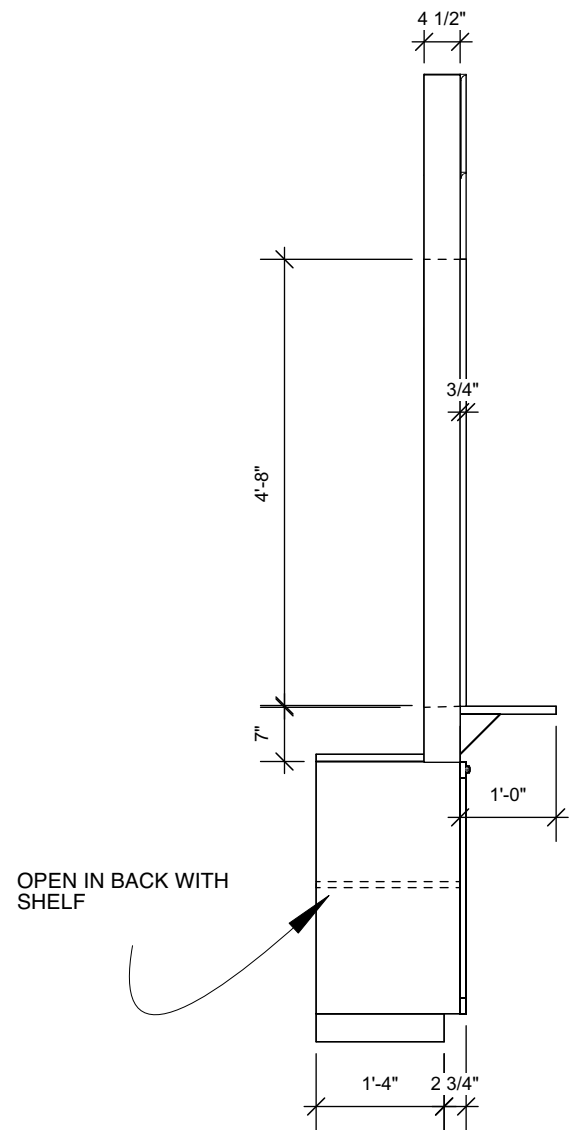
Venue: BRUNISH

**CEILING**

DATE: 2.2.24

Scale: AS NOTED

Plate: **4**  
Of: 8



01 **KITCHEN UNIT**  
Scale: 1/2" = 1'-0"

**Production**

Director: DMAE LO ROBERTS  
Set/Drawn by: ALEX MEYER  
Lights: BLANCA FORZAN  
Costumes: WANDA WALDEN  
Props: AMANDA VANDERHDE  
Projections:

**Revisions:**

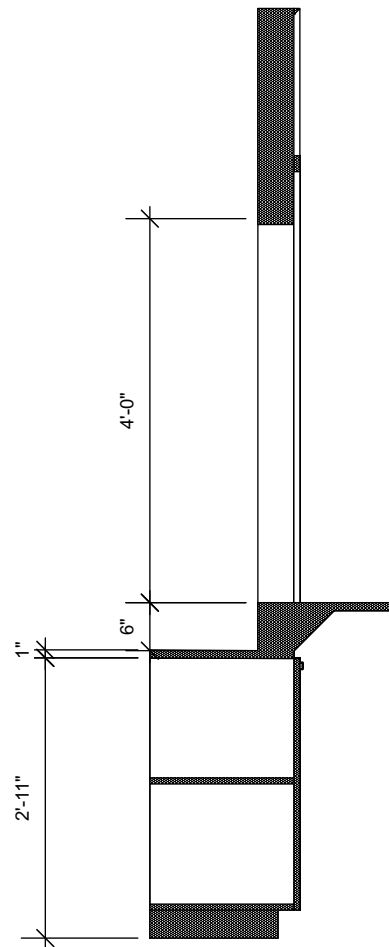
#	Description	Date
A	Prelim Design	2.2.24

**YOHEN**  
PASSINART THEATRE  
Venue: BRUNISH  
**KITCHEN UNIT**

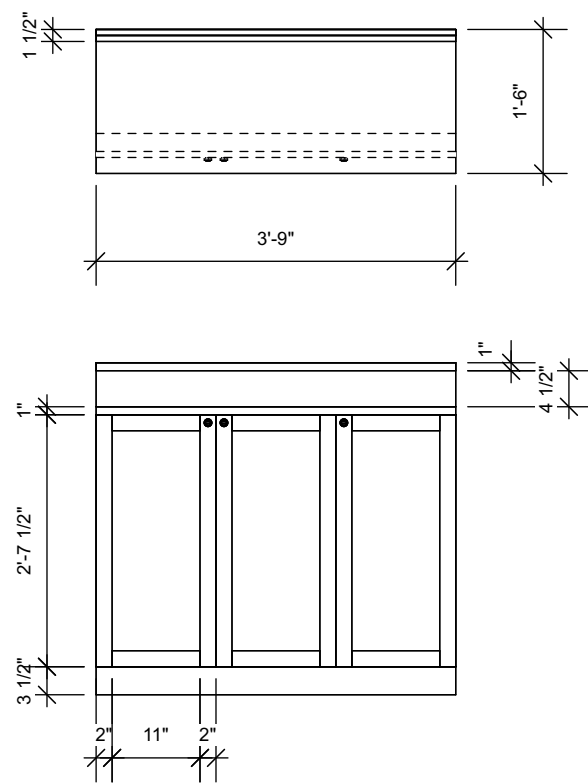
DATE: 2.2.24

Scale: AS NOTED

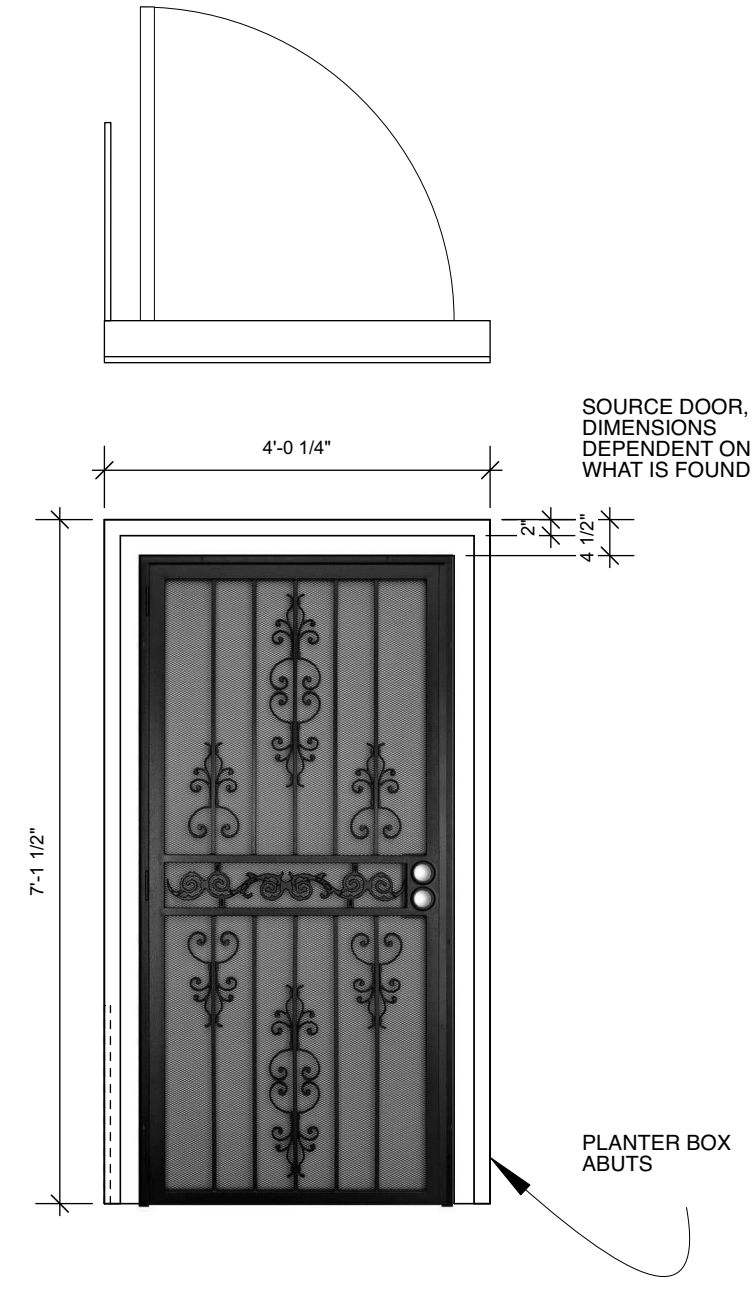
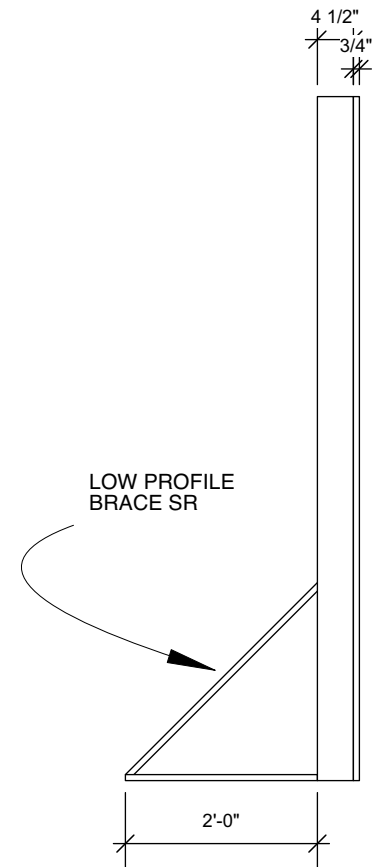
Plate: **5**  
Of: 8



**1** KITCHEN UNIT SECTION A  
Scale: 1/2" = 1'-0"



**2** CABINET  
Scale: 1/2" = 1'-0"



**3** DOOR  
Scale: 1/2" = 1'-0"

Production	
Director:	DMAE LO ROBERTS
Set/Drawn by:	ALEX MEYER
Lights:	BLANCA FORZAN
Costumes:	WANDA WALDEN
Props:	AMANDA VANDERHDE
Projections:	

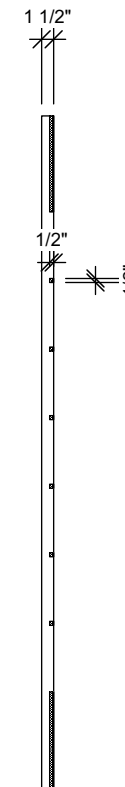
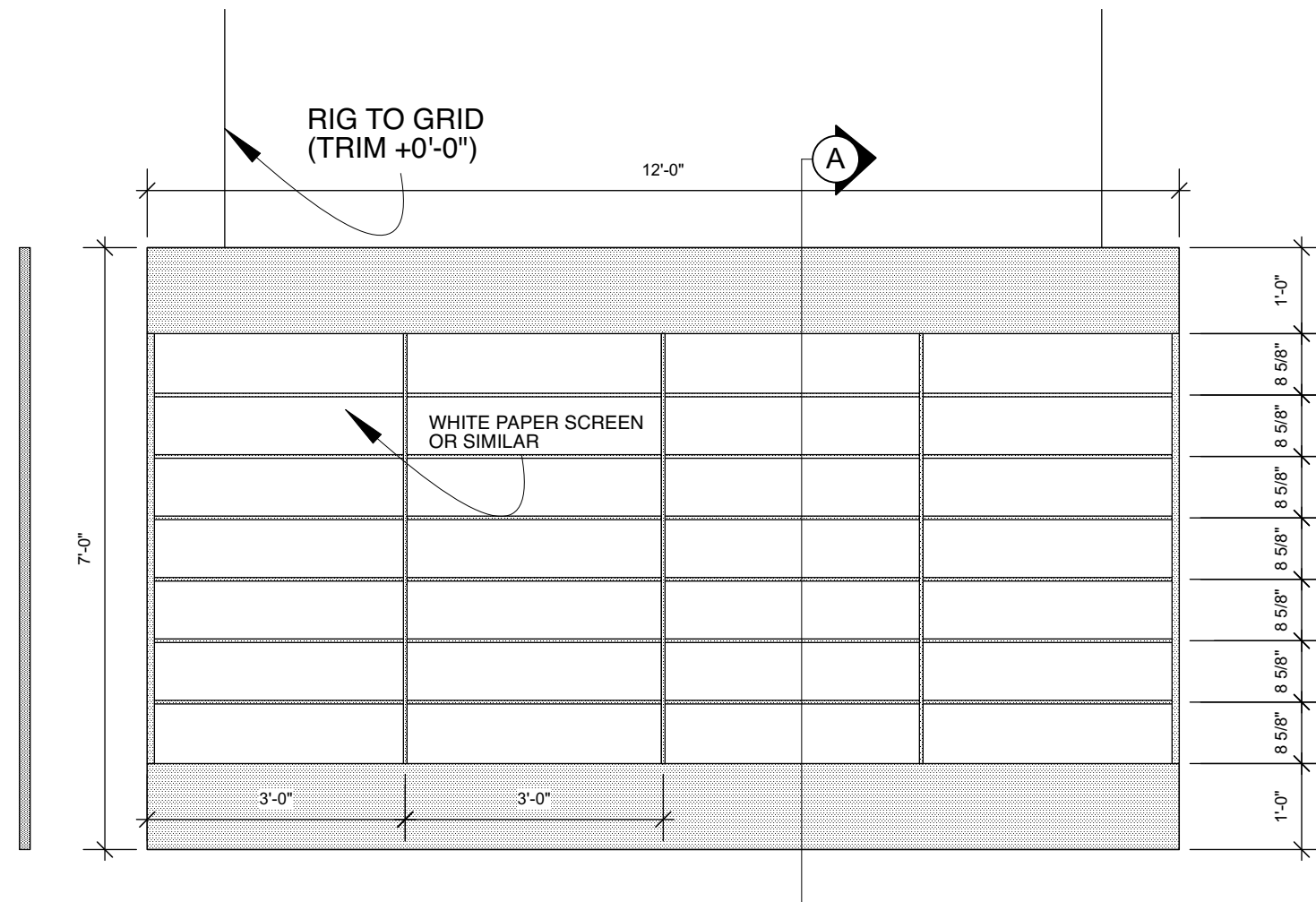
Revisions:	Description	Date
# A	Prelim Design	2.2.24

<b>YOHEN</b>
PASSINART THEATRE
Venue: BRUNISH
<b>KITCHEN SECTION, CABINET/DOOR</b>

DATE: 2.2.24

Scale: AS NOTED

Plate: **6**  
Of: 8



3 PARTITION  
Scale: 1/2" = 1'-0"

4 PARTITION SECTION A  
Scale: 1/2" = 1'-0"



REFERENCE

shutterstock.com · 260732276

**Production**

Director: DMAE LO ROBERTS  
Set/Drawn by: ALEX MEYER  
Lights: BLANCA FORZAN  
Costumes: WANDA WALDEN  
Props: AMANDA VANDERHDE  
Projections:

Revisions:	#	Description	Date
	A	Prelim Design	2.2.24

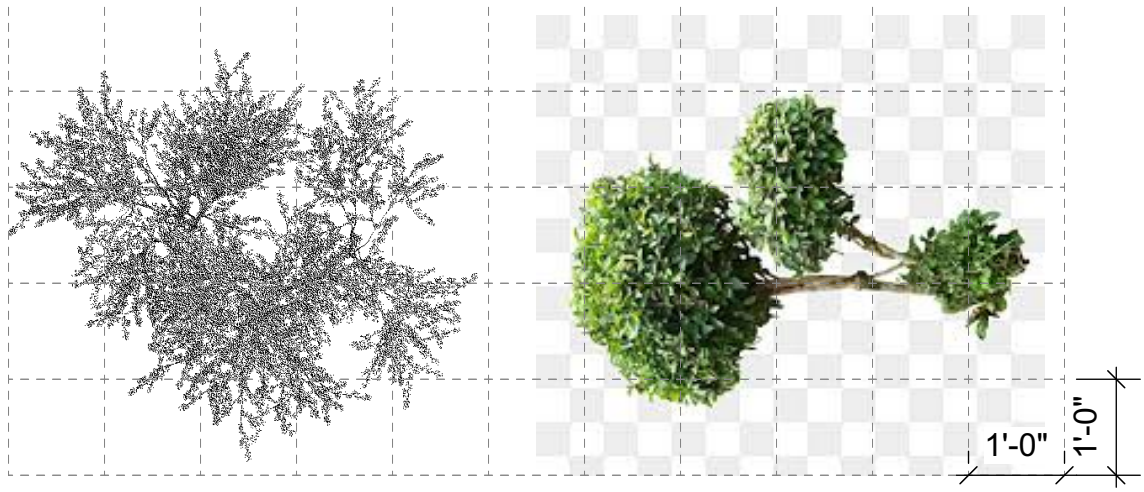
<b>YOHEN</b>	<b>PASSINART THEATRE</b>
Venue: BRUNISH	<b>PARTITION</b>

DATE: 2.2.24  
Scale: AS NOTED

Plate: **7**  
Of: 8



5 **PALM TREE**  
Scale: 1/2" = 1'-0"



6 **SHRUB**  
Scale: 1/2" = 1'-0"

Plate: **08**  
Of: 8

Scale: AS NOTED  
DATE: 2.2.24

**YOHEN**  
PASSINART THEATRE  
Venue: BRUNISH  
**TREES**

Revisions:		Date
#	Description	
A	Prelim Design	2.2.24

Production	
Director:	DMAE LO ROBERTS
Set/Drawn by:	ALEX MEYER
Lights:	BLANCA FORZAN
Costumes:	WANDA WALDEN
Props:	AMANDA VANDERHDE
Projections:	