

TOTAL 181

PLAN

Scale: 3/16" = 1'-0"

Production

Director: CHIP MILLER
 Set/Drawn by: ALEX MEYER
 Lights: SOPHINA FLORES
 Costumes: DREA JOHNSON
 Sound: PHIL JOHNSON
 TD: DEREK EASTON

Revisions:

| # | Description | Date |
|---|-------------|----------|
| B | FINAL PKG | 11.29.24 |

THE LIGHT

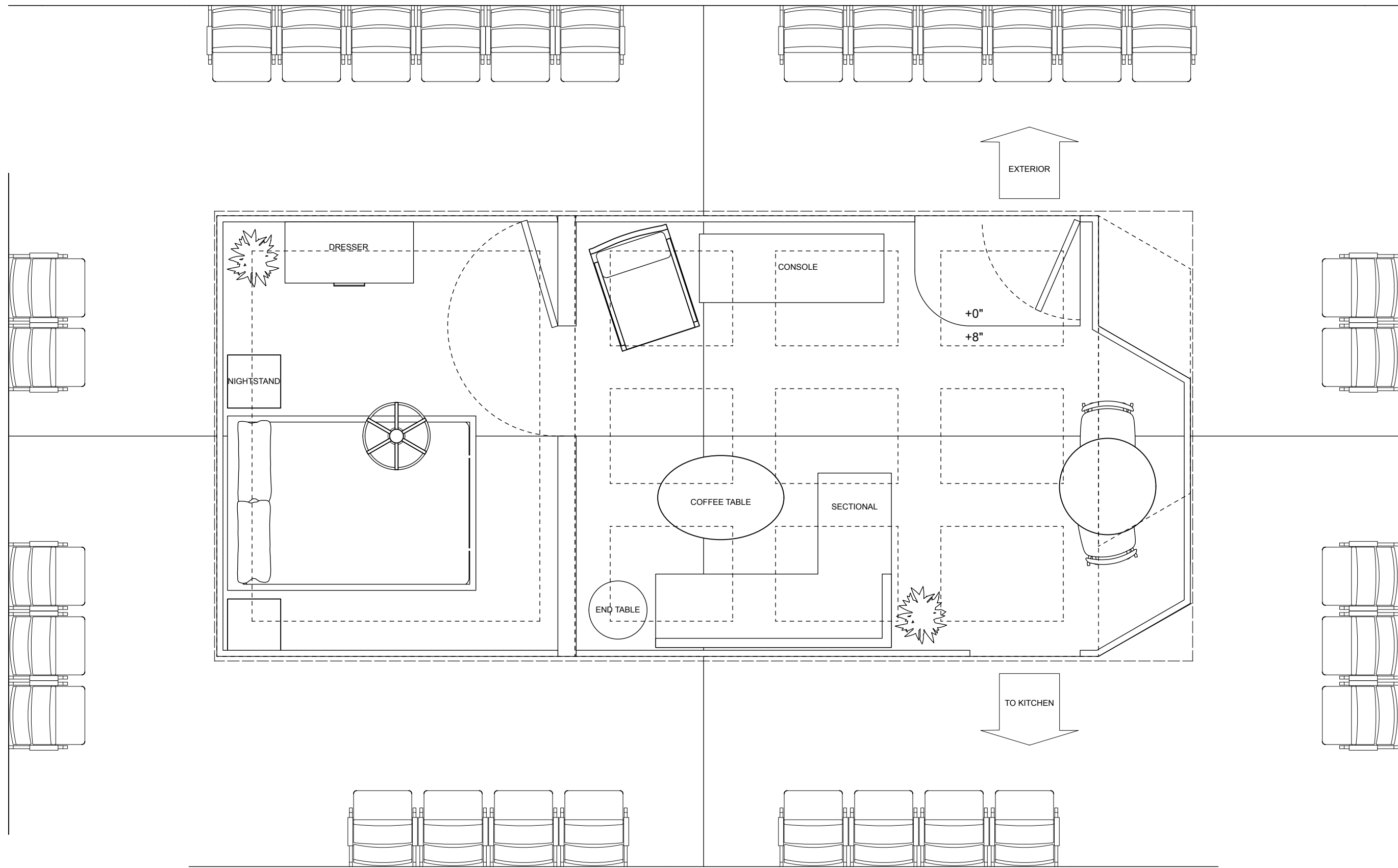
PORTLAND CENTER STAGE
 Venue: ELLYN BYE STUDIO
PLAN

DATE: 11.2.24

Scale: AS NOTED

Plate: **1**

Of: 11



PLAN
 Scale: 3/8" = 1'-0"

Production

Director: CHIP MILLER
 Set/Drawn by: ALEX MEYER
 Lights: SOPHINA FLORES
 Costumes: DREA JOHNSON
 Sound: PHIL JOHNSON
 TD: DEREK EASTON

| Revisions: | # | Description | Date |
|------------|---|-------------|----------|
| | B | FINAL PKG | 11.29.24 |

THE LIGHT
 PORTLAND CENTER STAGE

Venue: ELLYN BYE STUDIO

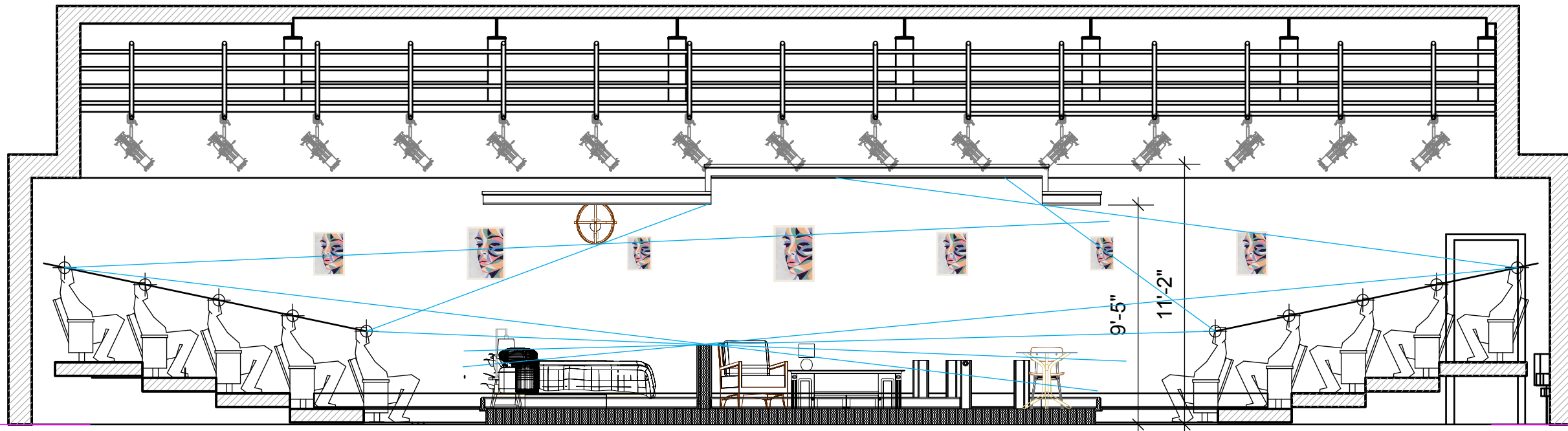
PLAN DETAIL

DATE: 11.2.24

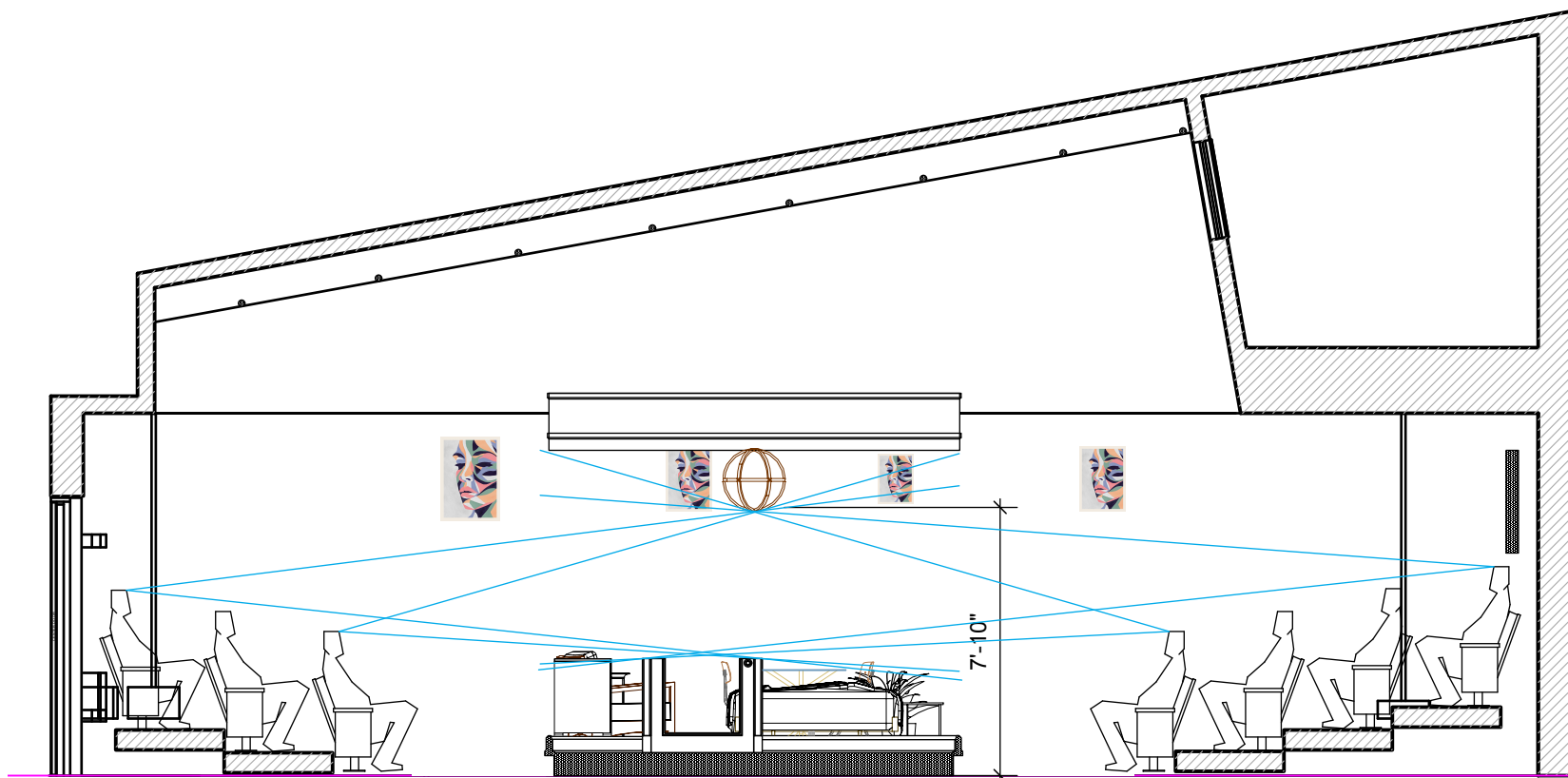
Scale: AS NOTED

Plate: **2**

Of: 11



SECTION EAST VIEW
Scale: 3/16" = 1'-0"



SECTION SOUTH VIEW
Scale: 3/16" = 1'-0"

Production

Director: CHIP MILLER
Set/Drawn by: ALEX MEYER
Lights: SOPHINA FLORES
Costumes: DREA JOHNSON
Sound: PHIL JOHNSON
TD: DEREK EASTON

| Revisions: | Description | Date |
|------------|-------------|----------|
| # B | FINAL PKG | 11.29.24 |

THE LIGHT
PORTLAND CENTER STAGE

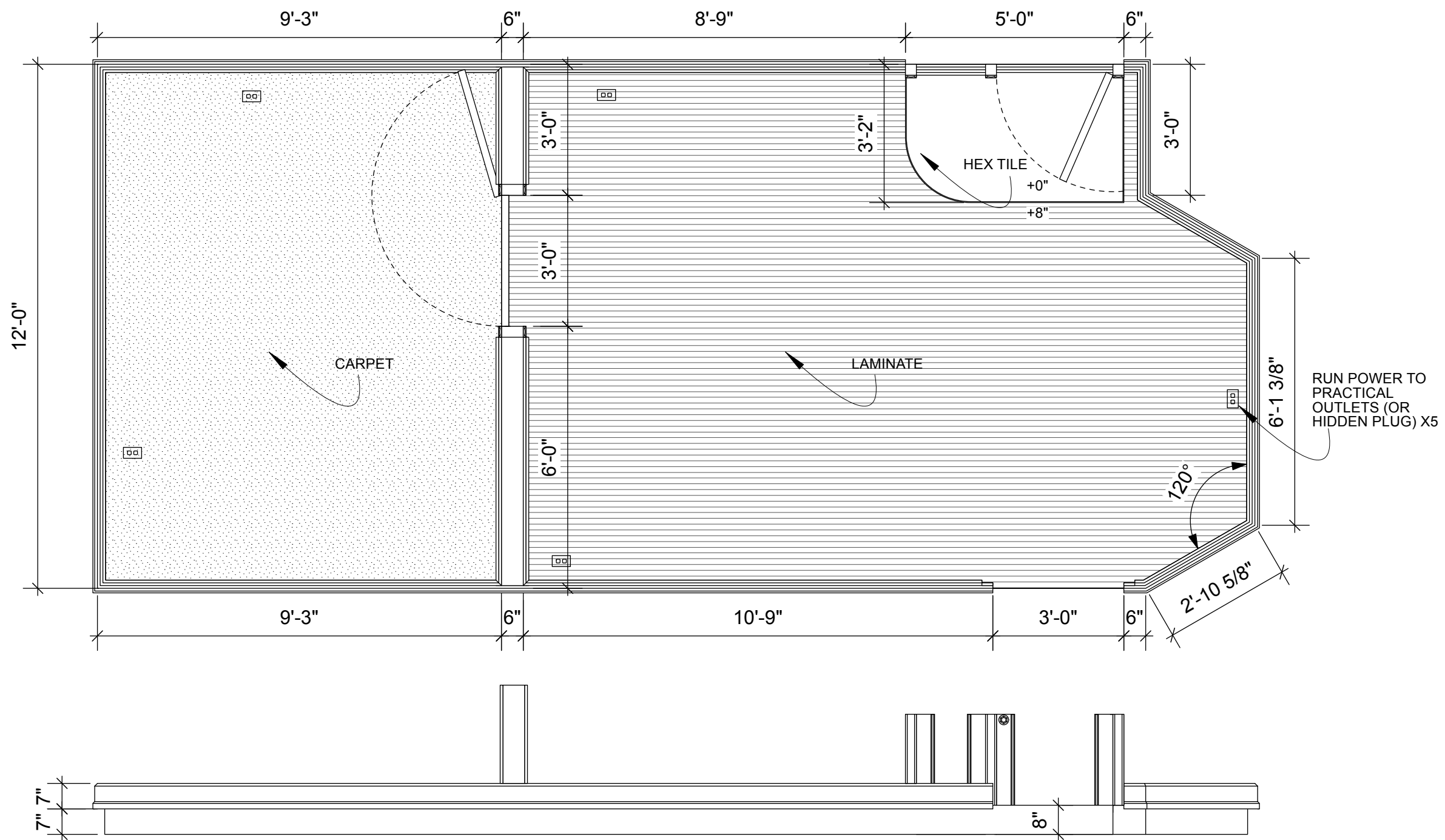
Venue: ELLYN BYE STUDIO
S/E SECTION

DATE: 11.2.24

Scale: AS NOTED

Plate: **3**

Of: 11



PLATFORM
Scale: 3/8" = 1'-0"

Production

| | |
|---------------|----------------|
| Director: | CHIP MILLER |
| Set/Drawn by: | ALEX MEYER |
| Lights: | SOPHINA FLORES |
| Costumes: | DREA JOHNSON |
| Sound: | PHIL JOHNSON |
| TD: | DEREK EASTON |

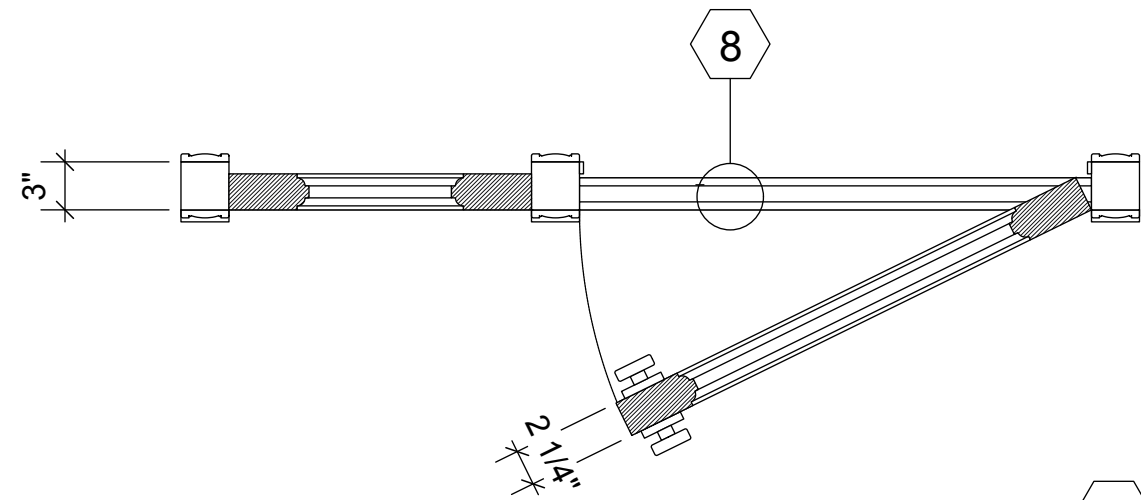
Revisions:

| # | Description | Date |
|---|-------------|----------|
| B | FINAL PKG | 11.29.24 |

| |
|-------------------------|
| THE LIGHT |
| PORTLAND CENTER STAGE |
| Venue: ELLYN BYE STUDIO |
| PLATFORM |

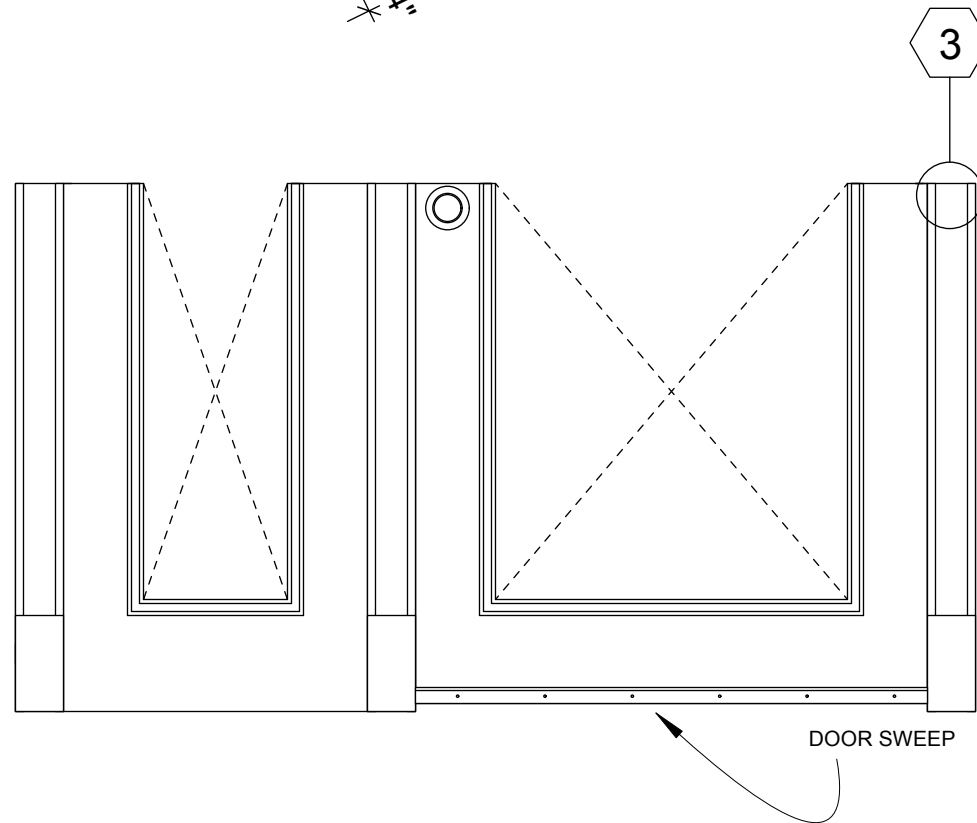
DATE: 11.2.24
Scale: AS NOTED

Plate: **4**
Of: 11

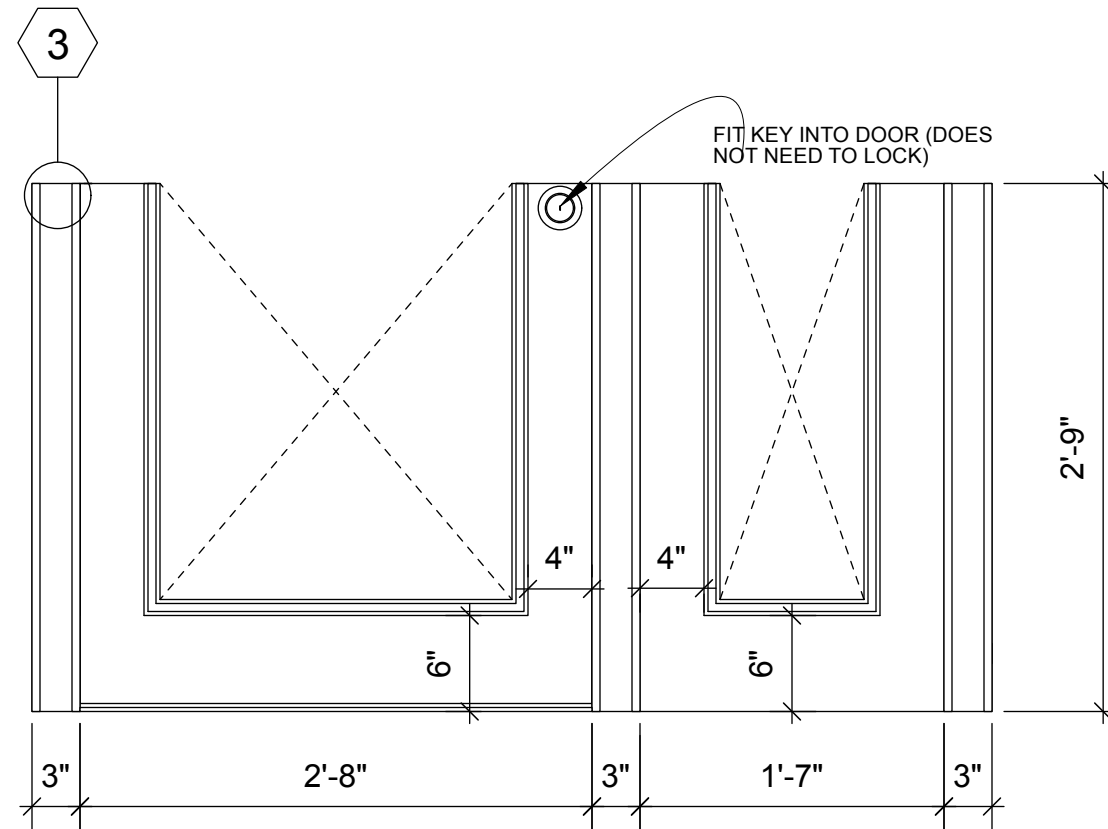


<https://www.homedepot.com/p/M-D-Building-Products-0-25-in-x-36-in-Silver-Brush-Aluminum-Screw-On-Door-Sweep-Door-Weatherstripping-05100/311332368>

<https://www.homedepot.com/p/Schlage-Georgian-Antique-Brass-Keyed-Entry-Door-Knob-F51-GEO-609/100063865>



INTERIOR VIEW



EXTERIOR VIEW

FRONT DOOR DETAIL

Scale: 1" = 1'-0"

Production

Director: CHIP MILLER
 Set/Drawn by: ALEX MEYER
 Lights: SOPHINA FLORES
 Costumes: DREA JOHNSON
 Sound: PHIL JOHNSON
 TD: DEREK EASTON

Revisions:
 # B
 Description
 FINAL PKG
 Date
 11.29.24

THE LIGHT
 PORTLAND CENTER STAGE

Venue: ELLYN BYE STUDIO
FRONT DOOR DETAIL

DATE: 11.2.24

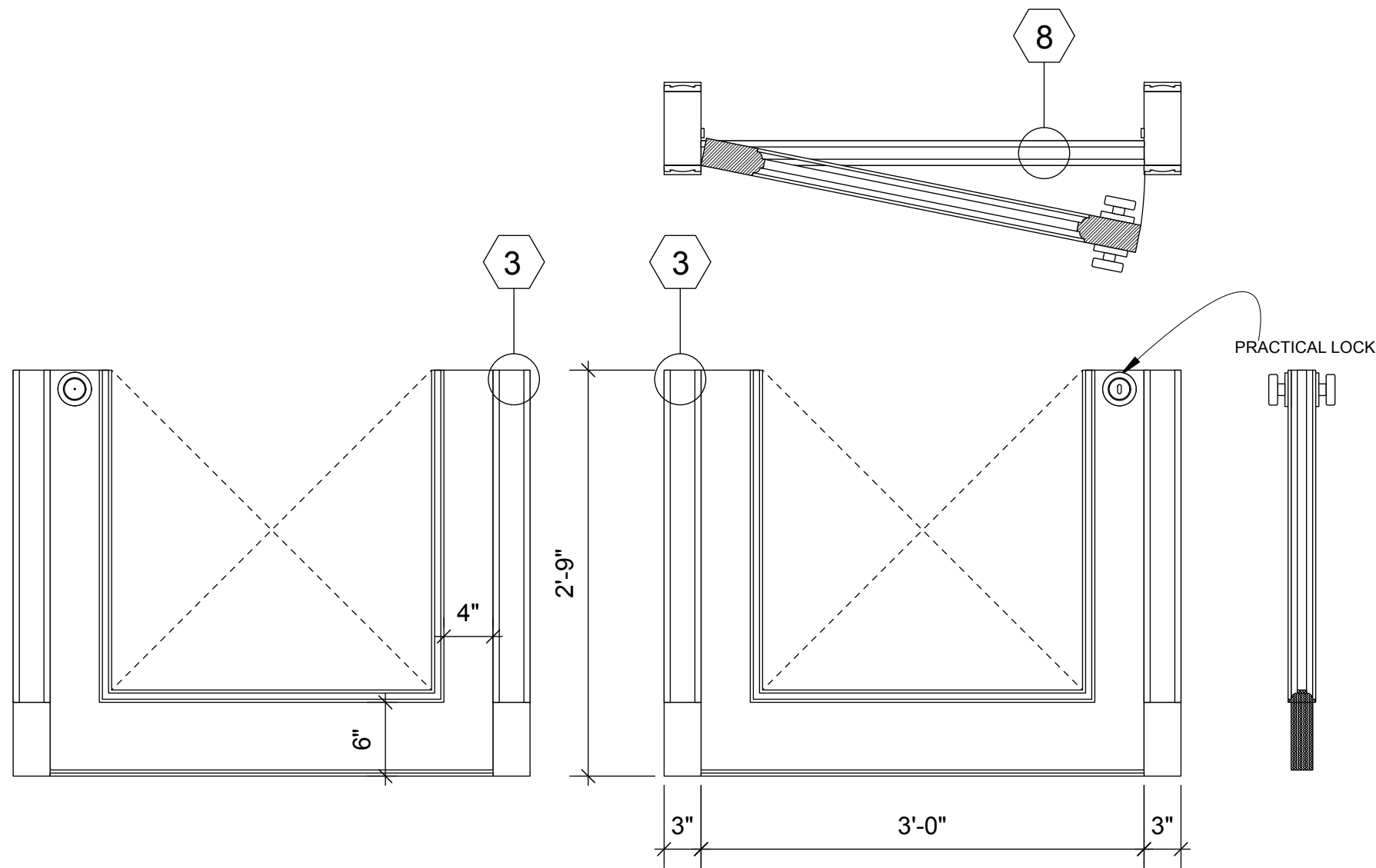
Scale: AS NOTED

Plate: **5**

Of: 11



<https://www.homedepot.com/p/Kwikset-Cove-Venetian-Bronze-Privacy-Door-Knob-with-Lock-for-Bedroom-or-Bathroom-featuring-Microban-Technology-300CV11PCPV1/300772163>



EXTERIOR VIEW

INTERIOR VIEW

BEDROOM DOOR DETAIL

Scale: 1" = 1'-0"

SECTION DETAIL (TYPICAL)

Scale: 2" = 1'-0"

Production

Director: CHIP MILLER
 Set/Drawn by: ALEX MEYER
 Lights: SOPHINA FLORES
 Costumes: DREA JOHNSON
 Sound: PHIL JOHNSON
 TD: DEREK EASTON

| Revisions: | Description | Date |
|------------|-------------|----------|
| # B | FINAL PKG | 11.29.24 |

THE LIGHT
 PORTLAND CENTER STAGE

Venue: ELLYN BYE STUDIO

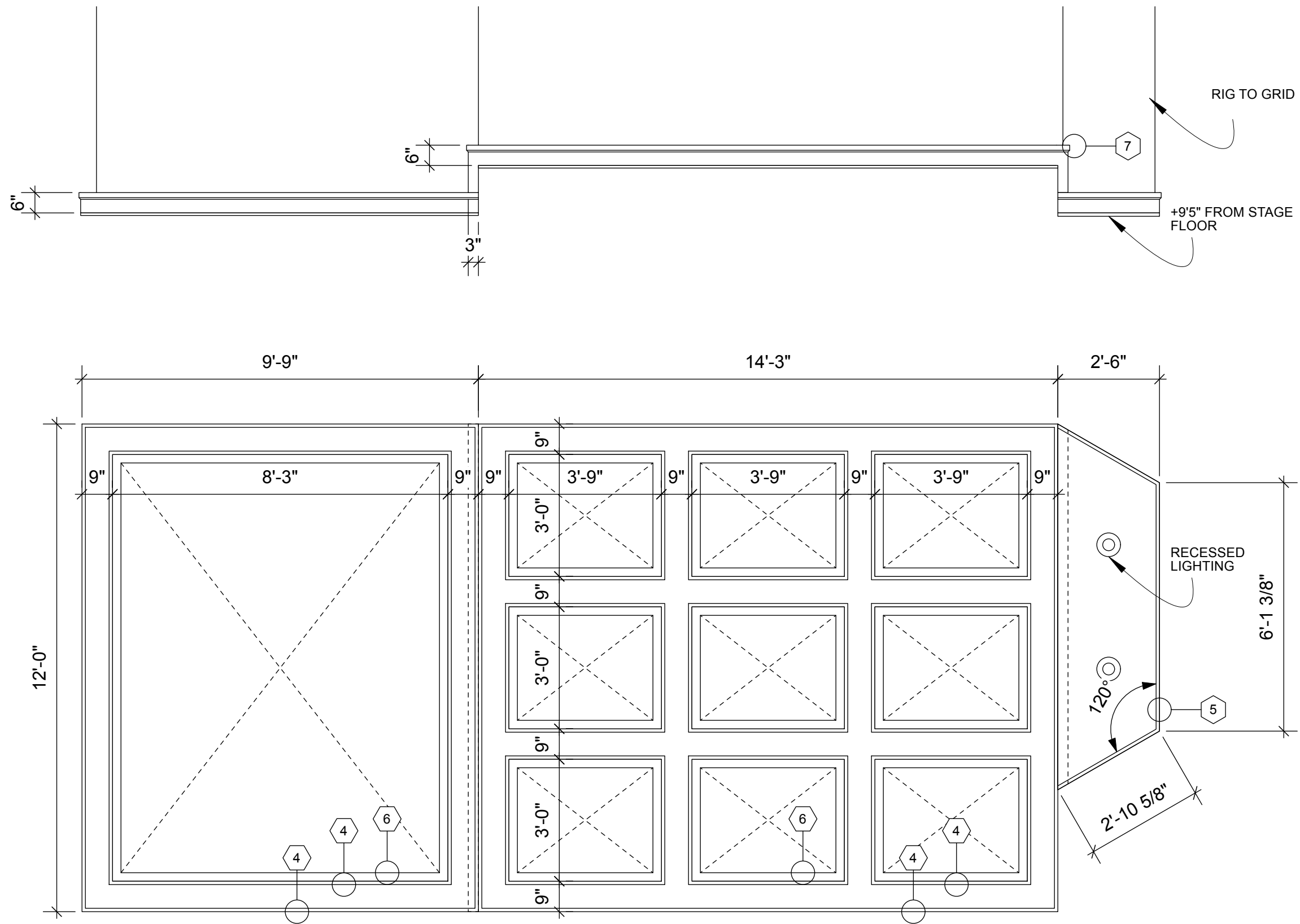
DOOR DETAIL

DATE: 11.2.24

Scale: AS NOTED

Plate: **6**

Of: 11



BOTTOM VIEW

CEILING UNIT

Scale: 3/8" = 1'-0"

Production

Director: CHIP MILLER
 Set/Drawn by: ALEX MEYER
 Lights: SOPHINA FLORES
 Costumes: DREA JOHNSON
 Sound: PHIL JOHNSON
 TD: DEREK EASTON

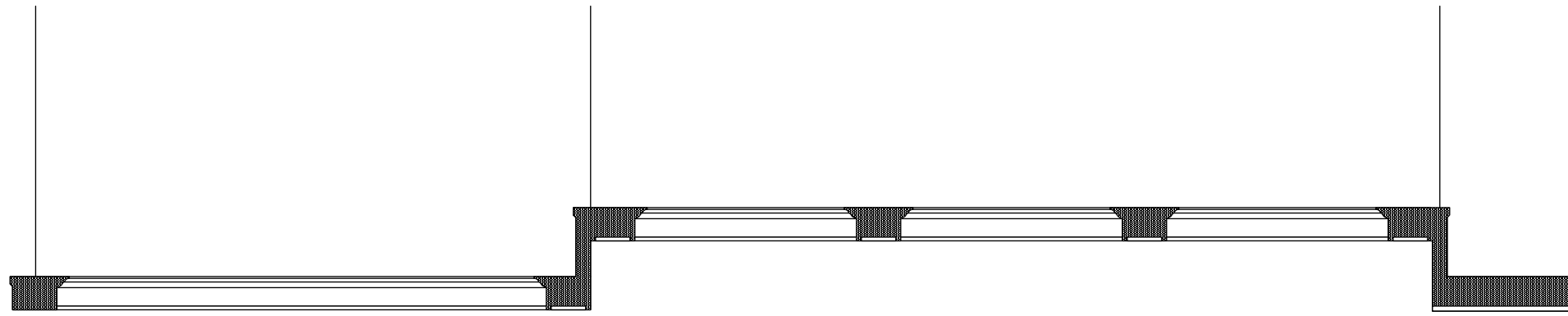
Revisions:

| # | Description | Date |
|---|-------------|----------|
| B | FINAL PKG | 11.29.24 |

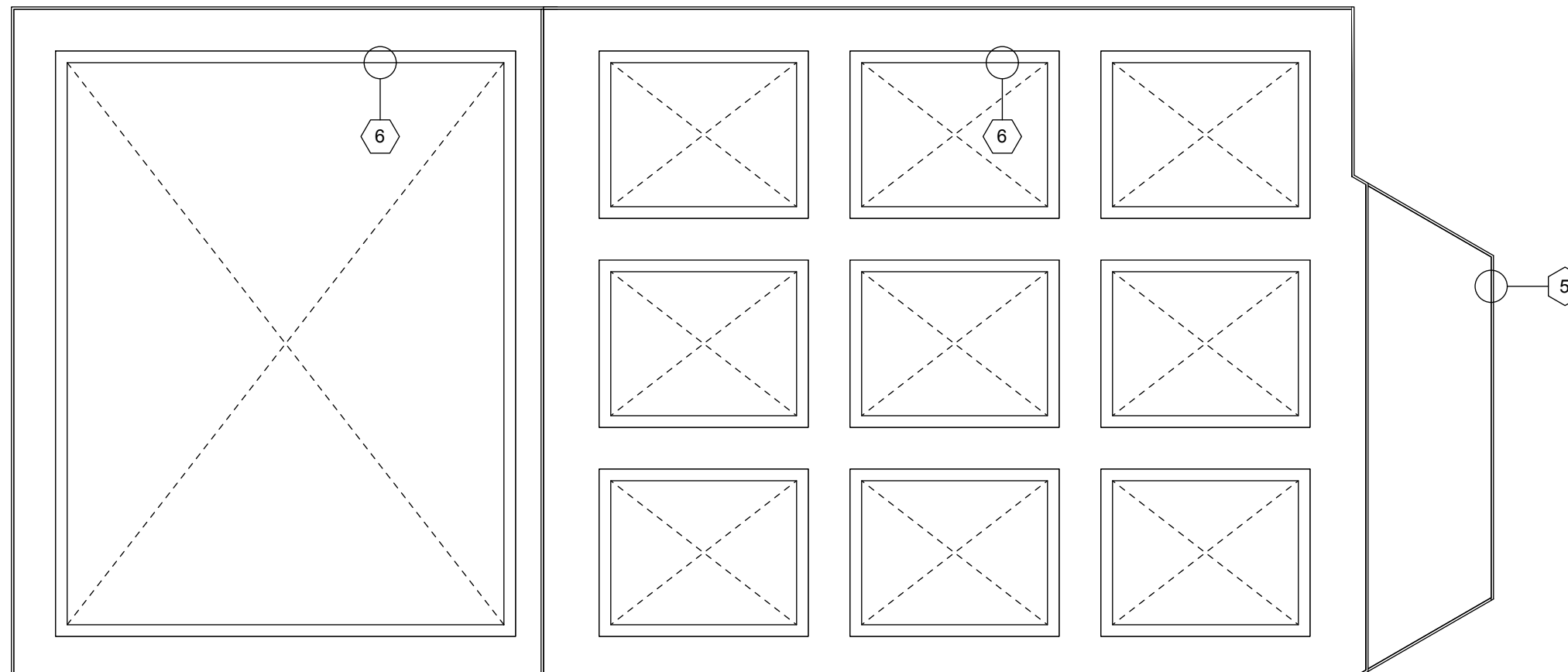
| |
|-------------------------|
| THE LIGHT |
| PORTLAND CENTER STAGE |
| Venue: ELLYN BYE STUDIO |
| CEILING UNIT |

DATE: 11.2.24
 Scale: AS NOTED

Plate: **7**
 Of: 11



CENTER SECTION



CEILING UNIT (TOP VIEW)

Scale: 3/8" = 1'-0"

Production

Director: CHIP MILLER
Set/Drawn by: ALEX MEYER
Lights: SOPHINA FLORES
Costumes: DREA JOHNSON
Sound: PHIL JOHNSON
TD: DEREK EASTON

Revisions:
B
Description
FINAL PKG
Date
11.29.24

THE LIGHT
PORTLAND CENTER STAGE

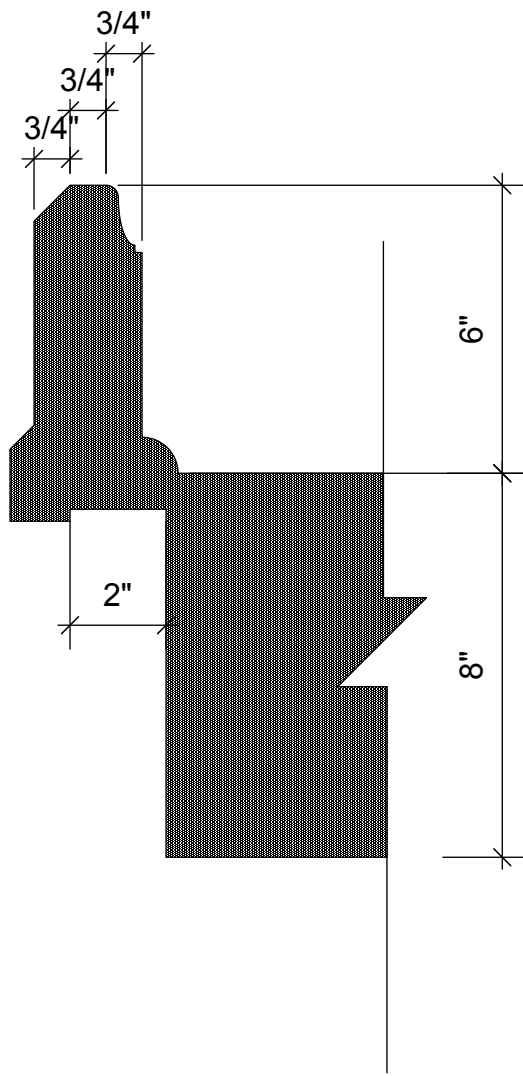
Venue: ELLYN BYE STUDIO
CEILING UNIT

DATE: 11.2.24

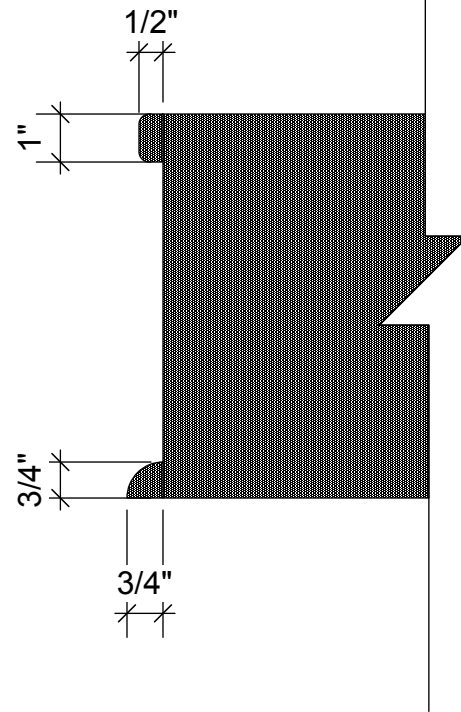
Scale: AS NOTED

Plate: **8**

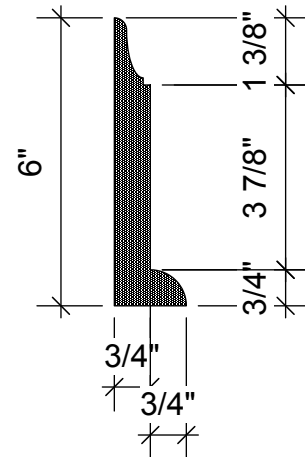
Of: 11



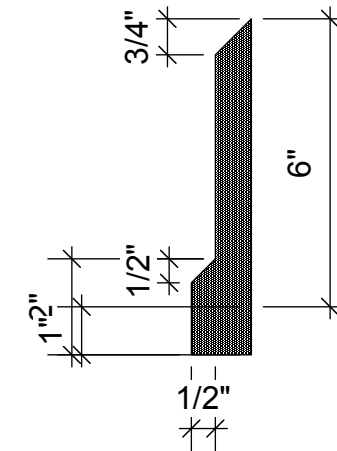
PLATFORM SECTION
Scale: 3" = 1'-0"



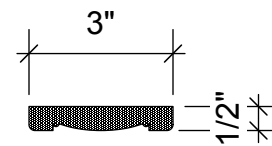
SUNKEN ENTRY SECTION
Scale: 3" = 1'-0"



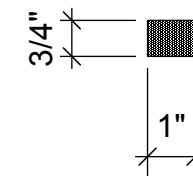
TRIM 1 (BASEBOARD)
Scale: 3" = 1'-0"



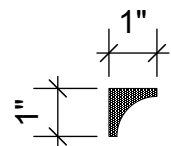
TRIM 2 (PLATFORM EXT)
Scale: 3" = 1'-0"



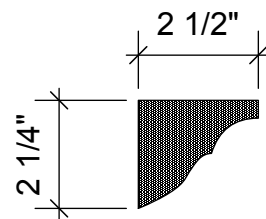
TRIM 3 (DOOR)
Scale: 3" = 1'-0"



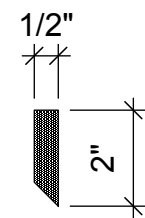
TRIM 4 (COFFER)
Scale: 3" = 1'-0"



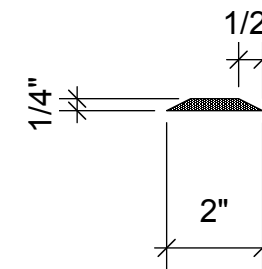
TRIM 5 (BAY CROWN)
Scale: 3" = 1'-0"



TRIM 6 (COFFER CROWN)
Scale: 3" = 1'-0"



TRIM 7 (CEILING EXT)
Scale: 3" = 1'-0"



TRIM 8 (TRANSITION)
Scale: 3" = 1'-0"

Production

Director: CHIP MILLER
Set/Drawn by: ALEX MEYER
Lights: SOPHINA FLORES
Costumes: DREA JOHNSON
Sound: PHIL JOHNSON
TD: DEREK EASTON

| Revisions: | Description | Date |
|------------|-------------|----------|
| # B | FINAL PKG | 11.29.24 |

THE LIGHT
PORTLAND CENTER STAGE

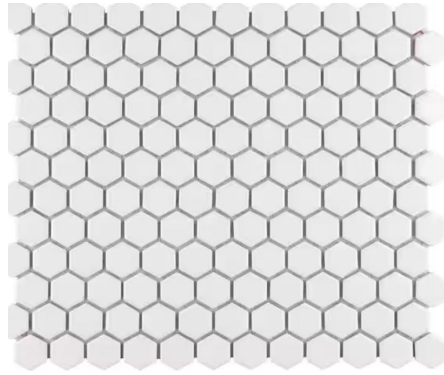
Venue: ELLYN BYE STUDIO

TRIM DETAIL

DATE: 11.2.24

Scale: AS NOTED

Plate: **9**
Of: 11



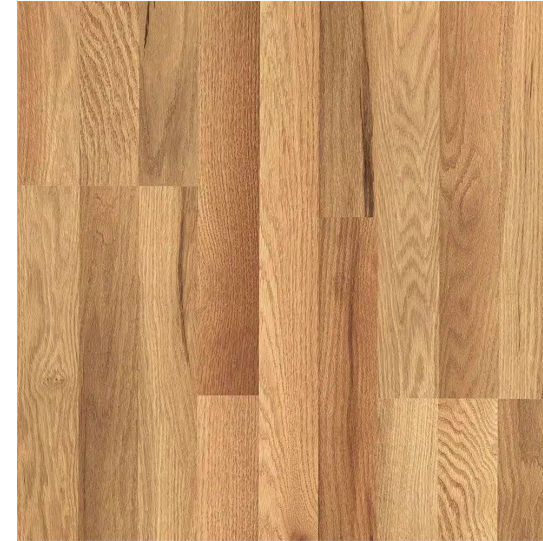
https://www.homedepot.com/pep/Merola-Tile-Metro-1-in-Hex-Glossy-White-10-1-4-in-x-11-7-8-in-Porcelain-Mosaic-Tile-8-6-sq-ft-Case-FXLMHW/202034843?g_store=&source=shoppingads&locale=en-US&pla&mtc=SHOPPING-CM-CML-GGL-D23F-023_006_FLR_WLL_TILE-NA-NA-NA-PLA-NA-NA-NA-NA-NBR-NA-NA-NEW-NA&cm_mmc=SHOPPING-CM-CML-GGL-D23F-023_006_FLR_WLL_TILE-NA-NA-NA-PLA-NA-NA-NA-NA-NBR-NA-NA-NEW-NA-71700000113606701-58700008513847012-92700080952481547&gclid=Cj0KCQiAire5BhCNARIsAM53K1gJvyn87Yiky71-Ip5vhDVhCxG8K4W4Qww0MZSz12mVKfDYB9Qq0gwaAuljEALw_wcB

HEX TILE REFERENCE



<https://www.homedepot.com/p/TrafficMaster-Household-Hues-II-Full-Grey-Gray-41-oz-Polyester-Textured-Installed-Carpet-0846D-27-12/328410937#overlay>

CARPET REFERENCE



<https://www.homedepot.com/p/Pergo-XP-Haley-Oak-10-mm-T-x-7-4-in-W-Laminate-Wood-Flooring-19-6-sqft-case-LF000772/205661732#overlay>

LAMINATE REFERENCE



OUTLET PLATE REFERENCE

Production

Director: CHIP MILLER
 Set/Drawn by: ALEX MEYER
 Lights: SOPHINA FLORES
 Costumes: DREA JOHNSON
 Sound: PHIL JOHNSON
 TD: DEREK EASTON

Revisions:
 # Description
 B FINAL PKG
 Date
 11.29.24

THE LIGHT
 PORTLAND CENTER STAGE

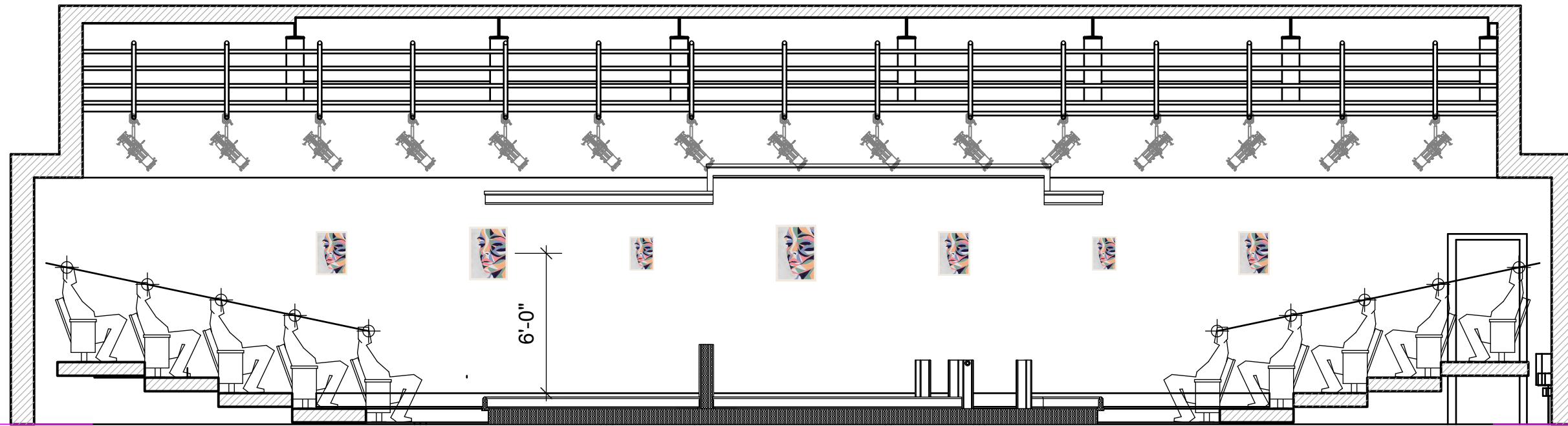
Venue: ELLYN BYE STUDIO
REFERENCE

DATE: 11.2.24

Scale: AS NOTED

Plate: **10**

Of: 11



PORTRAITS SECTION (TYPICAL)

Scale: 3/16" = 1'-0"

- PORTRAITS PROVIDED BY LOCAL ARTIST(S) IN CONJUNCTION WITH LOBBY DISPLAY - 20-25 PRINTS AT MAXIMUM 36"X36" EACH
- ARTWORK PROVIDED TO SHOP TO BE PRINTED/MOUNTED ON FOAM CORE OR SIMILAR
- HUNG CENTERED AT 6'0" ABOVE THE HIGHEST RISER BEHIND EACH RISER BANK FROM CABLE OR SIMILAR, SHARE CURTAIN TRACK WITH BLACK MASKIKNG

Production

Director: CHIP MILLER
 Set/Drawn by: ALEX MEYER
 Lights: SOPHINA FLORES
 Costumes: DREA JOHNSON
 Sound: PHIL JOHNSON
 TD: DEREK EASTON

Revisions:
 # B
 Description
 FINAL PKG
 Date
 11.29.24

THE LIGHT

PORTLAND CENTER STAGE

Venue: ELLYN BYE STUDIO

PORTRAITS

DATE: 11.2.24

Scale: AS NOTED

Plate: **11**

Of: 11